



**NUT, SELF-LOCKING, PLATE, ONE LUG
FLOATING, VARIABLE C'BORE, REPLACEABLE
NUT ELEMENT, 125 KSI FTU, 450°F AND 800°F**

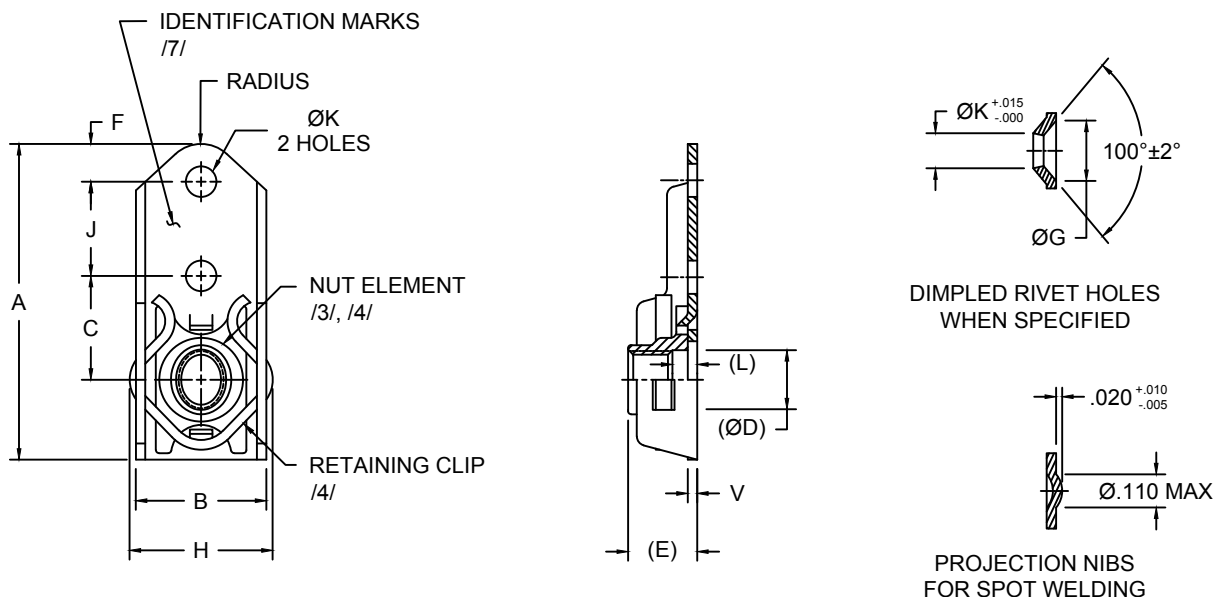


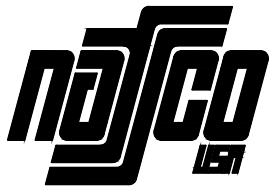
TABLE I - DIMENSIONS AND DASH NUMBERS

NAFCO PART NUMBER		THREAD (AS8879)	A MAX	B MAX	C ±.005 /3/	(ØD)	(E) MAX	F MIN	ØG ±.010	H MAX	J ±.002	ØK +.005 -.000	(L) C'BORE MIN	V ±.005	AXIAL TENSILE STRENGTH MIN. LBF (REF)	PUSH OUT MIN LBF /2/	TORQUE OUT MIN LBF-IN /2/	MAX WEIGHT LBS/100
STEEL	CRES																	
NA2362A-82-1	NA2362C-82-1	.1640-32 UNJC-3B	1.051	.445	.344	.168	.250	.100	.200	.484	.312	.098	.070	.032	2,000	80	45	.70
NA2362A-82-2	NA2362C-82-2						.312						.77					
NA2362A-82-3	NA2362C-82-3						.375						.82					
NA2362A-82-4	NA2362C-82-4						.438						.87					
NA2362A-82-5	NA2362C-82-5						.500						.92					
NA2362A-82-6	NA2362C-82-6						.562						.97					
NA2362A-02-1	NA2362C-02-1	.1900-32 UNJF-3B	1.051	.445	.344	.194	.250	.100	.200	.484	.312	.098	.070	.032	2,825	125	90	.70
NA2362A-02-2	NA2362C-02-2						.312						.77					
NA2362A-02-3	NA2362C-02-3						.375						.82					
NA2362A-02-4	NA2362C-02-4						.438						.87					
NA2362A-02-5	NA2362C-02-5						.500						.92					
NA2362A-02-6	NA2362C-02-6						.562						.97					
NA2362A-048-1	NA2362C-048-1	.2500-28 UNJF-3B	1.306	.547	.500	.254	.295	.125	.200	.584	.312	.098	.070	.032	5,060	150	160	1.23
NA2362A-048-2	NA2362C-048-2						.357						1.33					
NA2362A-048-3	NA2362C-048-3						.419						1.42					
NA2362A-048-4	NA2362C-048-4						.481						1.50					
NA2362A-048-5	NA2362C-048-5						.543						1.60					
NA2362A-048-6	NA2362C-048-6						.605						1.68					
NA2362A-054-1	NA2362C-054-1	.3125-24 UNJF-3B	1.396	.643	.500	.317	.344	.125	.230	.720	.312	.130	.070	.040	8,000	175	280	2.08
NA2362A-054-2	NA2362C-054-2						.400						2.14					
NA2362A-054-3	NA2362C-054-3						.461						2.25					
NA2362A-054-4	NA2362C-054-4						.524						2.37					
NA2362A-054-5	NA2362C-054-5						.586						2.48					
NA2362A-054-6	NA2362C-054-6						.649						2.59					
NA2362A-064-1	NA2362C-064-1	.3750-24 UNJF-3B	1.441	.760	.500	.379	.380	.125	.230	.840	.312	.130	.070	.050	11,900	125	240	3.00
NA2362A-064-2	NA2362C-064-2						.430						3.15					
NA2362A-064-3	NA2362C-064-3						.500						3.30					
NA2362A-064-4	NA2362C-064-4						.560						3.45					
NA2362A-064-5	NA2362C-064-5						.635						3.60					
NA2362A-064-6	NA2362C-064-6						.690						3.75					

CONFORMS TO:
NASM25027
NAS3350, CLASS 1
AS8879

NAFCO USA, LLC
CARSON CITY, NV 89706

PART NUMBER
NA2362
FSC / CAGE CODE: 32387



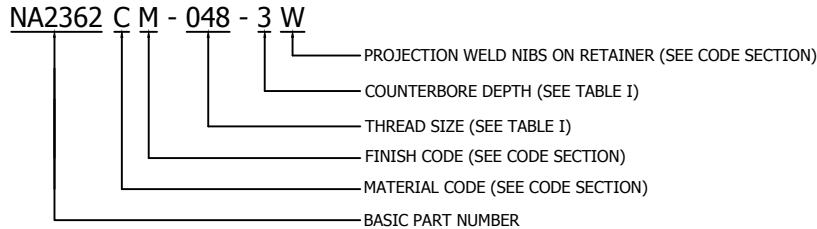
**NUT, SELF-LOCKING, PLATE, ONE LUG
FLOATING, VARIABLE C'BORE, REPLACEABLE
NUT ELEMENT, 125 KSI FTU, 450°F AND 800°F**

MATERIAL: NUT -- ALLOY OR CARBON STEEL, HEAT TREATED; OR TYPE A286 CRES.
RETAINER -- ALLOY OR CARBON STEEL, HEAT TREATED; OR TYPE A286 CRES.
RETAINING CLIP -- TYPE 302 CRES OR XM-28 CRES SPRING WIRE.

FINISH: NUT -- ALLOY OR CARBON STEEL: CADMIUM PLATE PER AMS-QQ-P-416, TYPE II, CLASS 2.
TYPE A286 CRES (450°F): PASSIVATE PER AMS2700 PLUS DRY FILM LUBRICANT PER AS5272.
TYPE A286 CRES (800°F): PASSIVATE PER AMS2700 PLUS SILVER PLATE PER AMS2410.
RETAINER -- ALLOY OR CARBON STEEL: CADMIUM PLATE PER AMS-QQ-P-416, TYPE II, CLASS 2.
TYPE A286 CRES: PASSIVATE PER AMS2700.
RETAINING CLIP -- PASSIVATE PER AMS2700.

CODES: "A" CODE -- FOLLOWING BASIC PART NUMBER INDICATES ALLOY OR CARBON STEEL NUT AND RETAINER.
"C" CODE -- FOLLOWING BASIC PART NUMBER INDICATES CRES NUT AND RETAINER.
"M" CODE -- FOLLOWING "C" CODE INDICATES DRY FILM LUBRICANT.
"S" CODE -- FOLLOWING "C" CODE INDICATES SILVER PLATE.
"N" CODE -- FOLLOWING "A" CODE INDICATES WITHOUT DRY FILM LUBRICANT. STEEL NUT ONLY.
"BC" CODE -- SUFFIXED TO SECOND DASH NUMBER INDICATES DIMPLED RIVET HOLES.
"W" CODE -- SUFFIXED TO SECOND DASH NUMBER OF CRES NUT INDICATES PROJECTION WELD NIBS ON RETAINER.

EXAMPLE CALLOUT:



- NOTES:**
- 1.) ALL DIMENSIONS ARE IN INCHES AND APPLY AFTER FINISH AND PRIOR TO THE APPLICATION OF LUBRICATION UNLESS OTHERWISE SPECIFIED.
 - 2.) TABULATED PUSH-OUT AND TORQUE-OUT VALUES SHOWN IN TABLE APPLY BOTH SEPARATELY AND COMBINED.
 - ④ 3.) FLOAT OF NUT ELEMENT SHALL NOT BE LESS THAN .030 RADIALY FROM CENTERED POSITION. NUT ELEMENT SHALL BE CAPABLE OF ENGAGEMENT WITH A BOLT IN THE MAXIMUM MISALIGNED POSITION.
 - 4.) ACCEPTABLE COMPONENTS:
 - a.) NUT ELEMENT -- NAS1794 SERIES, NA2360 SERIES.
 - b.) RETAINING CLIP -- NAS1795 SERIES, NA2071 SERIES.
 - 5.) THREADS SHALL BE IN ACCORDANCE WITH AS8879. THE UPPER THREADED PORTION OF THE NUT SHALL BE DEFORMED TO PROVIDE SELF-LOCKING FEATURE.
 - 6.) THE INCLUSION OF LUBRICANT ON THE RETAINERS AND RETAINING CLIPS OF LUBRICATED NUTS IS OPTIONAL.
 - 7.) RETAINER SHALL BE MARKED WITH NAFCO USA, LLC MANUFACTURING MARK "N" AND WITH "C" FOR CRES MATERIAL. MARKINGS SHALL BE RAISED OR DEPRESSED .010 INCH MAXIMUM. LOCATION OPTIONAL EXCEPT MUST BE VISIBLE AFTER ASSEMBLY.
 - 8.) FOR OTHER FINISHES AND MATERIALS CONTACT NAFCO USA, LLC.

PERFORMANCE SPECIFICATION: UNLESS OTHERWISE SPECIFIED:
STEEL NUTS -- NAS3350, CLASS 1.
CRES NUTS -- NASM25027.

- ④ LOCKING TORQUE REUSABILITY FOR DRY FILM LUBRICATED NUTS IS REQUIRED FOR 50 SEATED CYCLES PER NAS1794. SEE NAS1794 FOR TEST CRITERIA AND SEATED TORQUE LOADS. NUT LOCKING TORQUE VALUES OF NASM25027 APPLY.

CONFORMS TO:
NASM25027
NAS3350, CLASS 1
AS8879

NAFCO USA, LLC
CARSON CITY, NV 89706

PART NUMBER
NA2362
FSC / CAGE CODE: 32387