

Definition: all metals reusable slotted self-locking hexagon nut with free washer and nylon insert

Threading: standard to ISO 965-2

Characteristic and performance test: for steel ISO 898-2/ISO 2320

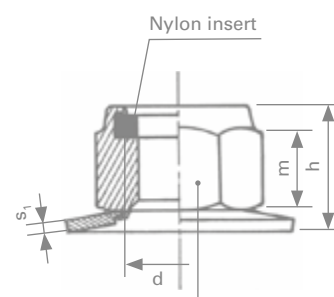
for stainless steel ISO 3506-2/NF E 25-035-2

Manufacturing range: metric/inch, all diameters, coarse & fine pitch, special heights & A/F upon request

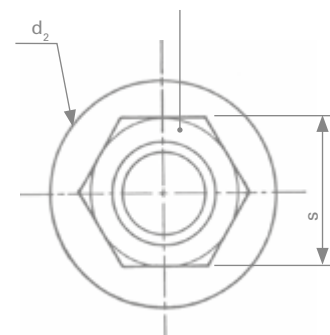
d	Pitch	s	h	m	d ₂ *	s ₁
M 4	0,70	7,00	7,70	3,30	12,00	1,10
M 5	0,80	8,00	8,70	4,50	14,00	1,30
M 6	1,00	10,00	10,10	5,60	18,00	1,40
M 8	1,25	13,00	12,00	7,30	22,00	1,60
M 10	1,50	16,00	14,80	8,40	27,00	1,80
M 12	1,75	18,00	18,40	11,40	27,00**	1,80
M 12	1,75	18,00	18,40	11,40	30,00**	1,80
M 14	2,00	21,00	20,50	13,30	32,00	2,40
M 16	2,00	24,00	23,70	14,20	40,00	3,20

Sizes: *Only given as an indication. On request for other type and other diameter of washers

**Stainless steel for diameter 27; steel for diameter 30.



Marking of the class of the material and manufacturer's initials standard to the ISO 898-2



Quality class	Classification	Range of application
Class 8 steel	QV	Self color -40° C +120° C ⁽¹⁾
Class 10 steel	QK	
Stainless steel A2-70	ZE	
Stainless steel A4-80	ZH	

⁽¹⁾ Values are only given as an indication

Surface treatment (standard to ROHS requirements)

Electrolytic coating (steel)	Yellow	ZJ	ISO 4042
	White LANTHANE® Finish	ZL	ISO 4042
	White LANTHANE® Finish + Top coat	ZF	ISO 4042
Zinc lamellar (steel)		on request	
Antigalling (stainless steel)	STANAL™400	ST	
	Sherardisation	SH	NF EN 13811
Self Color		BT	

Example of ordering code

	Type	Diam x pitch	Class	Protection	
classification	EUM	100150	ZH	ST	02
	welding	EUM	M10 x 1,50	A4 80	STANAL™400

*Standard size