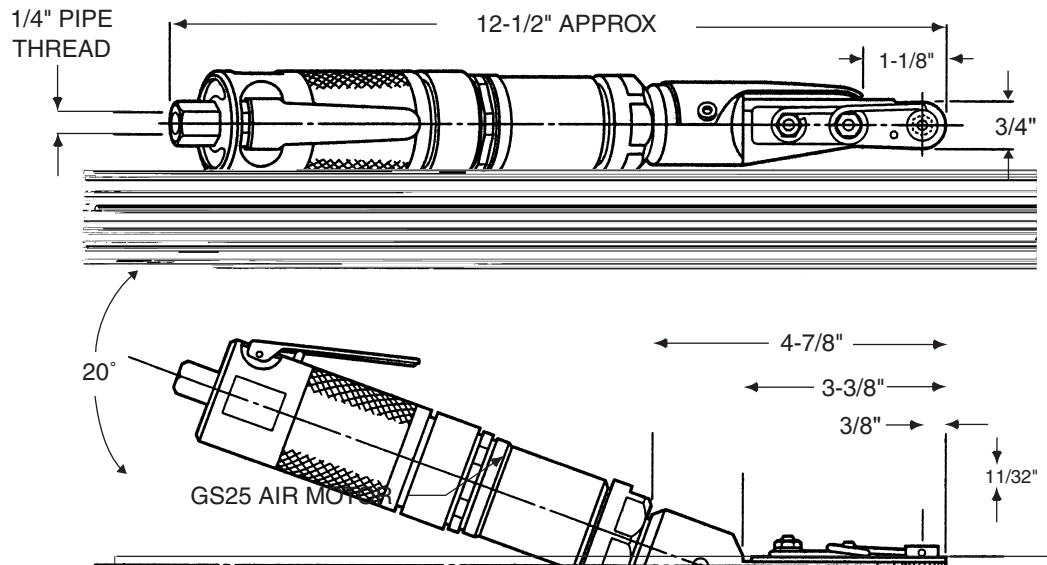
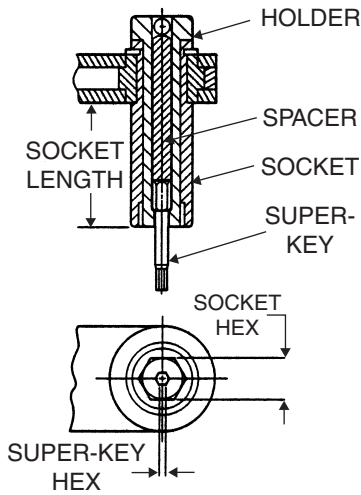


INSTALLATION TOOLING SUPER HLA2075

Medium 20° Offset Ratchet Wrench Driver Assembly
with Multi-length Socket and Super-Key™ (T-Series)



TECHNICAL DATA

| | | | |
|---------------------------------|---------------------------------|-------------------------|---------|
| Operating Pressure | 90 PSIA | Horsepower Rating | 0.50 |
| MAX. TORQUE RATING | 220 in. lb (Motor) @ 90 PSIA | Air Consumption | 22 SCFM |
| Socket Speed | 250 RPM | Weight..... | 2 lb |

TABLE 1

| COLLAR DRIVING HEX (Matches Socket Hex) | PIN RECESS HEX (Matches Super-Key Hex) | COMPLETE DRIVER ASSY. PART NO. | OFFSET ADAPTOR & SOCKET ASSY. PART NO. | EXTENDED SOCKET ASSY. PART NO. |
|--|---|-----------------------------------|---|-----------------------------------|
| 3/16 | 1/16 | HLA2075-187()-062T | HLR206-187()-062T | HLS78-187()-062T |
| 7/32 | | HLA2075-218()-062T | HLR206-218()-062T | HLS78-218()-062T |
| 1/4 | | HLA2075-250()-062T | HLR206-250()-062T | HLS78-250()-062T |
| 9/32 | | HLA2075-281()-062T | HLR206-281()-062T | HLS78-281()-062T |
| 5/16 | | HLA2075-312()-062T | HLR206-312()-062T | HLS78-312()-062T |
| 11/32 | | HLA2075-343()-062T | HLR206-343()-062T | HLS78-343()-062T |
| 7/32 | 5/64 | HLA2075-218()-078T | HLR206-218()-078T | HLS78-218()-078T |
| 1/4 | | HLA2075-250()-078T | HLR206-250()-078T | HLS78-250()-078T |
| 9/32 | | HLA2075-281()-078T | HLR206-281()-078T | HLS78-281()-078T |
| 5/16 | | HLA2075-312()-078T | HLR206-312()-078T | HLS78-312()-078T |
| 11/32 | | HLA2075-343()-078T | HLR206-343()-078T | HLS78-343()-078T |
| 3/8 | | HLA2075-375()-078T | HLR206-375()-078T | HLS78-375()-078T |
| 5/16 | 3/32 | HLA2075-312()-094T | HLR206-312()-094T | HLS78-312()-094T |
| 11/32 | | HLA2075-343()-094T | HLR206-343()-094T | HLS78-343()-094T |
| 3/8 | | HLA2075-375()-094T | HLR206-375()-094T | HLS78-375()-094T |
| 7/16 | | HLA2075-437()-094T | HLR206-437()-094T | HLS78-437()-094T |
| 1/2 | | HLA2075-500()-094T | HLR206-500()-094T | HLS78-500()-094T |
| 3/8 | | 1/8 | HLA2075-375()-125T | HLR206-375()-125T |
| 7/16 | HLA2075-437()-125T | | HLR206-437()-125T | HLS78-437()-125T |
| 1/2 | HLA2075-500()-125T | | HLR206-500()-125T | HLS78-500()-125T |

TABLE 2

| | | |
|----------|----------|------|
| A = 0.50 | E = 0.75 | 1/2 |
| B = 1.00 | F = 1.75 | 3/8 |
| C = 1.50 | X = 4.00 | 7/16 |
| D = 2.00 | | 1/2 |

DRIVER BASIC PART NO.

SOCKET HEX REF. TABLE 1

SOCKET LENGTH (REF TABLE 2)

SUPER-KEY HEX REF. TABLE 1.

SUPER-KEY (T-SERIES)

HLA2075-312 (A)-078T

Example: complete driver assy. part no.

ORDERING INFORMATION

- Match pin and collar hexes with Super-Key Hex and Socket Hex.
- See table 1 for corresponding complete driver assy part no.

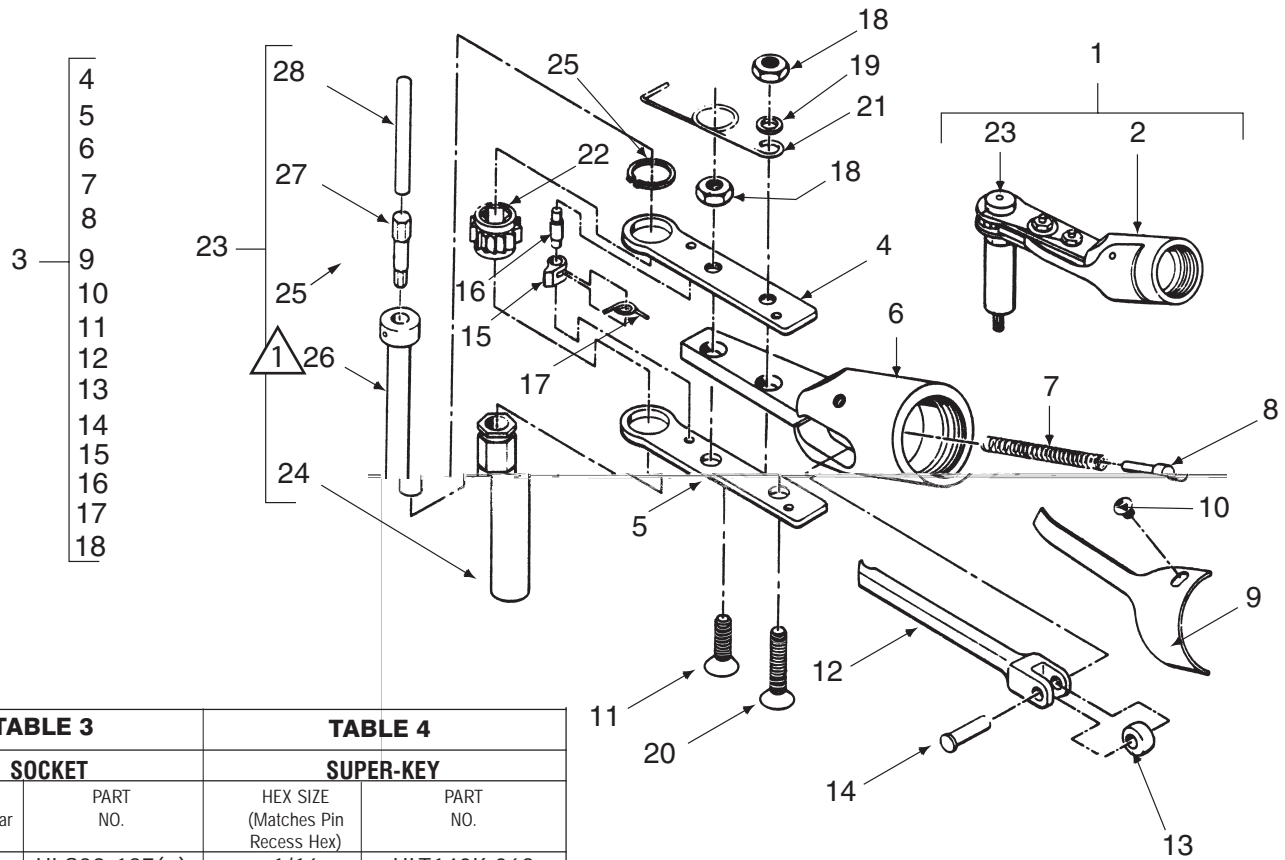
**SUPER HLA2075
MEDIUM 20° OFFSET RACHET WRENCH DRIVER ASSY w/Multi-Length Socket
& Super-Key™ (T-Series)**



3065 rev —

HLR206

Medium 20° Offset Ratchet Wrench Attachment Assembly with Multi-Length Socket and Super-Key™ (T-Series)



1 NOTE: SPECIFY SUPER KEY SIZE
WHEN ORDERING 125.
EXAMPLE: HLB1677-500-B-125

TABLE 3

SOCKET

TABLE 4

SUPER-KEY

| HEX SIZE (Matches Collar Driving Hex) | PART NO. | HEX SIZE (Matches Pin Recess Hex) | PART NO. |
|---|--------------|---|-------------|
| 3/16 | HLS39-187() | 1/16 | HLT140K-062 |
| 7/32 | HLS39-218() | 5/64 | HLT140K-078 |
| 1/4 | HLS39-250() | 3/32 | HLT140K-094 |
| 9/32 | HLS39-281() | 1/8 | HLT140K-125 |
| 5/16 | HLS39-312() | | |
| 11/32 | HLS39-343() | | |
| 3/8 | HLS39-375() | | |
| 7/16 | HLS39-437() | | |
| 1/2 | HLS39-500() | | |

| ITEM | PART NO. | DESCRIPTION | QTY | ITEM | PART NO. | DESCRIPTION | QTY |
|------|----------------------|----------------------------------|-----|-------------|------------------------------|------------------------------------|-----|
| 1 | HLR206-() ()-() T | Ratchet wrench attachment assy. | 1 | 15 | 9D-6431 | ... Pawl | 1 |
| 2 | HLR206-() | . Ratchet attachment assy. | 1 | 16 | 9D-6430 | ... Pin | 1 |
| 3 | 502914 | ... Ratchet attachment sub-assy. | 1 | 17 | 9D-5161 | ... Spring | 1 |
| 4 | 9D-6433 | ... Sideplate, tapped | 1 | 18 | C-101-D | ... Nut | 2 |
| 5 | 9D-6434 | ... Sideplate, countersunk | 1 | 19 | AN960-416 | .. Washer | 1 |
| 6 | 502915 | ... Housing | 1 | 20 | 1/4-20 x 1-3/4" lg. | .. Screw, flat head socket cap 82° | 1 |
| 7 | 9D-5163 | ... Spring | 1 | 21 | HLB1474-3 | .. Spring | 1 |
| 8 | 9D-5159 | ... Pin | 1 | 22 | 28550 | .. Gear, socket | 1 |
| 9 | 15680 | ... Cover | 1 | 23 | HLS78-() ()-() T | . Socket assy., extended | 1 |
| 10 | B-117-J | ... Screw | 1 | 24 | HLS39-() () Table 3 | .. Socket | 1 |
| 11 | B-124A | ... Screw | 1 | 25 | 5100-50 | .. Retaining ring | 1 |
| 12 | A-9D-6432 | ... Pushrod | 1 | 1 26 | HLB1677-() () | .. Holder | 1 |
| 13 | 9D-5162 | ... Roller | 1 | 27 | HLT140K-() Table 4 | .. Super-Key | 1 |
| 14 | 9D-5164 | ... Pin | 1 | 28 | HLB1616-() | .. Spacer | 1 |

HS TOOLING

14083 S. Normandie Ave, Gardena CA 90249 USA
800.482.4167 • fax 310.464.8545

HLR206

MEDIUM 20° OFFSET RATCHET WRENCH ATTACHMENT ASSY w/Multi-Length Socket & Super-Key™ (T-Series)