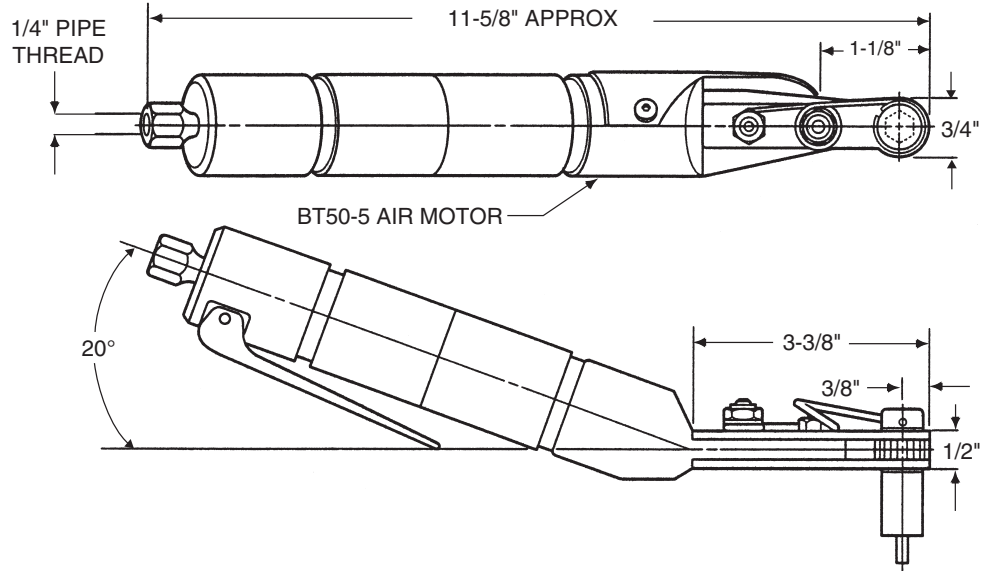
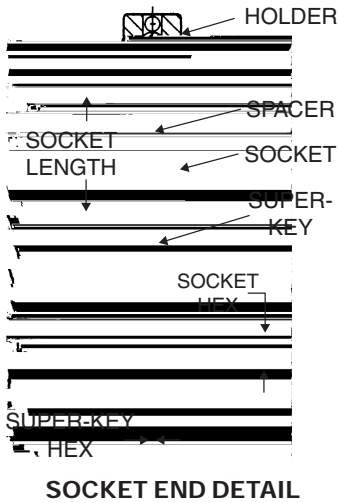


# INSTALLATION TOOLING SUPER HLA2016

20° Offset Ratchet Wrench Driver Assembly  
with Multi-Length Socket and Super-Key™ (T-Series)



DRIVER BASIC PART NO.  
SOCKET HEX REF. TABLE 1  
SOCKET LENGTH (REF TABLE 2)  
SUPER-KEY HEX (REF TABLE 1)  
SUPER-KEY (T-SERIES)

**HLA2016-312 (E) - 078T**

Example: complete driver assy. part no.

### ORDERING INFORMATION

- Match pin and collar hexes with Super-Key Hex and Socket Hex.
- See table 1 for corresponding complete driver assy part no.

TABLE 2

A = 0.50	E = 0.75
B = 1.00	F = 1.75
C = 1.50	X = 4.00
D = 2.00	

### TECHNICAL DATA

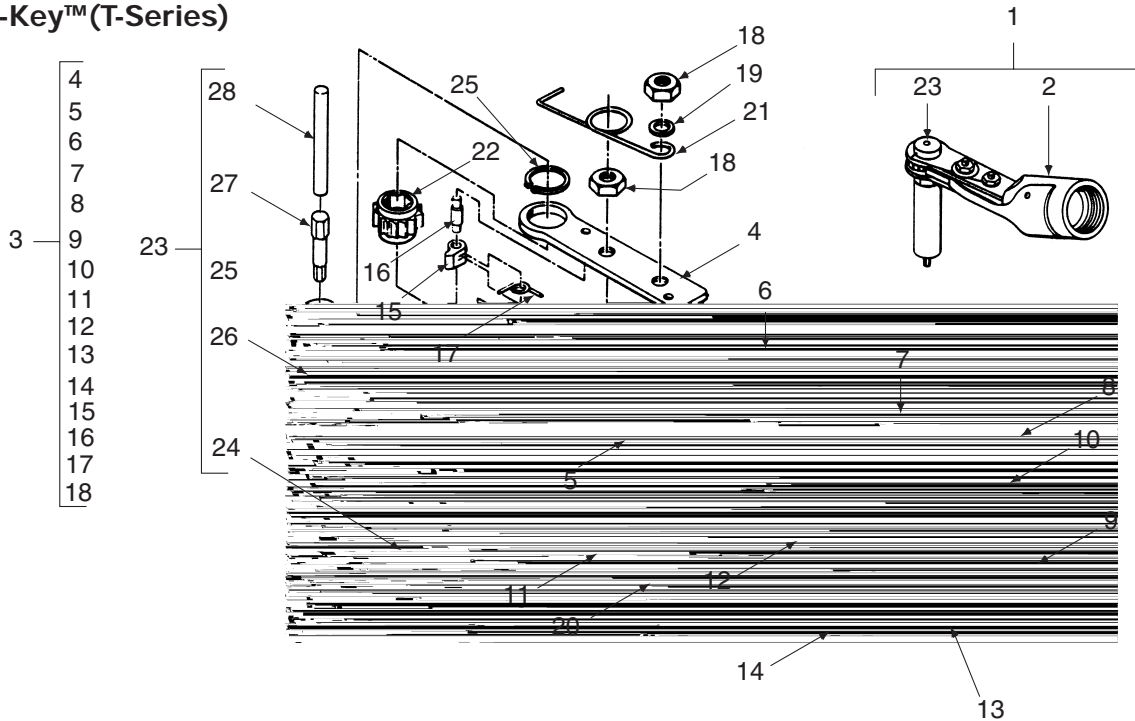
Operating Pressure .....	90 PSIA	Horsepower Rating .....	0.50
<b>MAX. TORQUE RATING</b> .....	110 in. lb (Motor) @ 90 PSIA	Air Consumption .....	22 SCFM
Socket Speed .....	250 RPM	Weight .....	2 lb

TABLE 1

COLLAR DRIVING HEX (Matches Socket Hex)	PIN RECESS HEX (Matches Super-Key Hex)	COMPLETE DRIVER ASSY. PART NO.	OFFSET ADAPTOR & SOCKET ASSY. PART NO.	EXTENDED SOCKET ASSY. PART NO.	
3/16	1/16	HLA2016-187( )-062T	HLR251-187( )-062T	HLS76-187( )-062T	
7/32		HLA2016-218( )-062T	HLR251-218( )-062T	HLS76-218( )-062T	
1/4		HLA2016-250( )-062T	HLR251-250( )-062T	HLS76-250( )-062T	
9/32		HLA2016-281( )-062T	HLR251-281( )-062T	HLS76-281( )-062T	
5/16		HLA2016-312( )-062T	HLR251-312( )-062T	HLS76-312( )-062T	
11/32		HLA2016-343( )-062T	HLR251-343( )-062T	HLS76-343( )-062T	
7/32	5/64	HLA2016-218( )-078T	HLR251-218( )-078T	HLS76-218( )-078T	
1/4		HLA2016-250( )-078T	HLR251-250( )-078T	HLS76-250( )-078T	
9/32		HLA2016-281( )-078T	HLR251-281( )-078T	HLS76-281( )-078T	
5/16		HLA2016-312( )-078T	HLR251-312( )-078T	HLS76-312( )-078T	
11/32		HLA2016-343( )-078T	HLR251-343( )-078T	HLS76-343( )-078T	
3/8		HLA2016-375( )-078T	HLR251-375( )-078T	HLS76-375( )-078T	
5/16		3/32	HLA2016-312( )-094T	HLR251-312( )-094T	HLS76-312( )-094T
11/32			HLA2016-343( )-094T	HLR251-343( )-094T	HLS76-343( )-094T
3/8			HLA2016-375( )-094T	HLR251-375( )-094T	HLS76-375( )-094T
7/16			HLA2016-437( )-094T	HLR251-437( )-094T	HLS76-437( )-094T

# HLR251

## 20° Offset Ratchet Wrench Attachment Assembly with Multi-Length Socket and Super-Key™ (T-Series)



ITEM	PART NO.	DESCRIPTION	QTY
1	HLR251-( )-( )T	Ratchet wrench attachment assy.	1
2	HLR251-437	. Ratchet attachment assy.	1
3	AA-19099-12	.. Ratchet attachment sub-assy.	1
4	9D-5166	... Sideplate, tapped	1
5	9D-5167	... Sideplate, countersunk	1
6	A-19099	... Housing	1
7	9D-5163	... Spring	1
8	9D-5159	... Pin	1
9	15680	... Cover	1
10	B-117-J	... Screw	2
11	B-123-X	... Screw	1
12	AA-9D-5172	... Pushrod	1
13	9D-5162	... Roller	1
14	9D-5164	... Pin	1
15	9D-5165	... Pawl	1
16	9D-5160	... Pin	1
17	9D-5161	... Spring	1
18	C-101-D	... Nut	2
19	AN960-416	.. Washer	1
20	1/4-20 x 1" lg.	.. Screw, flat head socket cap 82°	1
21	HLB1474-3	.. Spring	1
22	28009	.. Gear, socket	1
23	HLS76-( )-( )T	. Socket assy., extended	1
24	HLS47-( )-( ) Table 3	.. Socket	1
25	5100-50	.. Retaining ring	1
26	HLB1665-( )-( )	.. Holder	1
27	HLT140K-( ) Table 4	.. Super-Key	1
28	HLB1616-( )	.. Spacer	1

**TABLE 3**

**SOCKET**

HEX SIZE (Matches Collar Driving Hex)	PART NO.
3/16	HLS47-187( )
7/32	HLS47-218( )
1/4	HLS47-250( )
9/32	HLS47-281( )
5/16	HLS47-312( )
11/32	HLS47-343( )
3/8	HLS47-375( )
7/16	HLS47-437( )

**TABLE 4**

**SUPER-KEY**

HEX SIZE (Matches Pin Recess Hex)	PART NO.
1/16	HLT140K-062
5/64	HLT140K-078
3/32	HLT140K-094
1/8	HLT140K-125

**HS TOOLING**

14083 S. Normandie Ave, Gardena CA 90249 USA  
800.482.4167 • fax 310.464.8545

**HLR251**

**20° Offset Ratchet Wrench Attachment Assy w/Multi-Length Socket and Super-Key™ (T-Series)**

**3058 rev —**