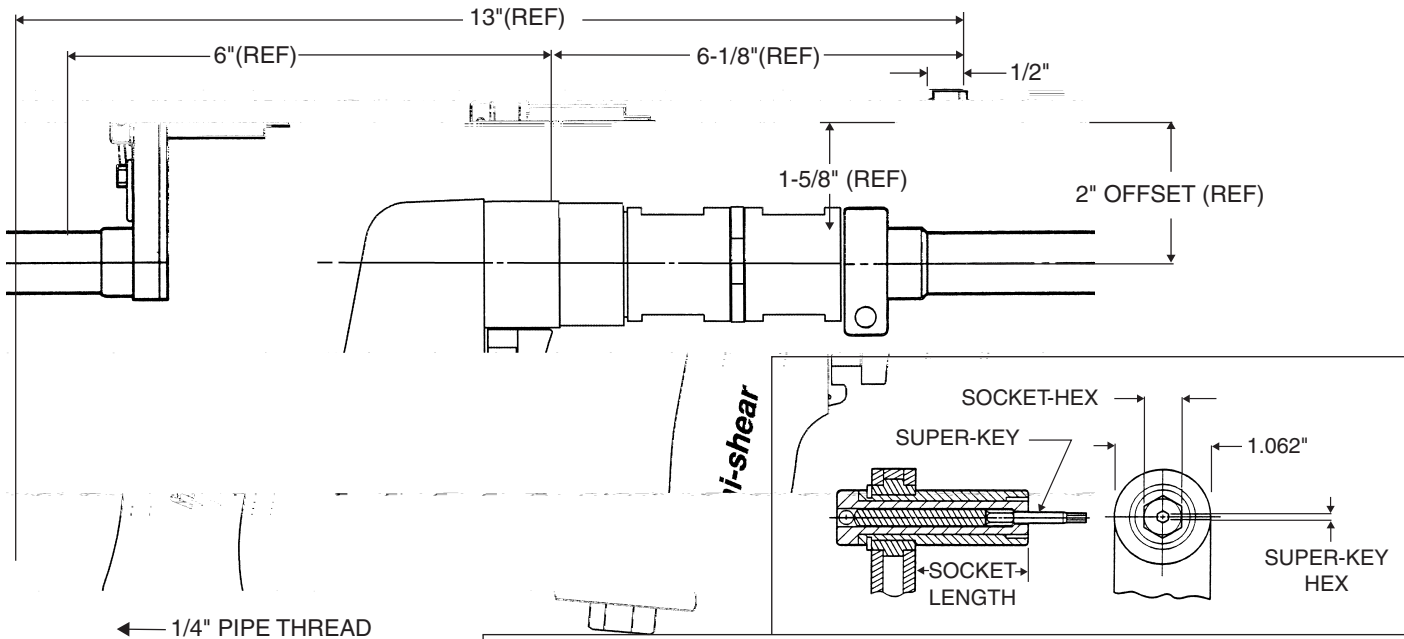


# SUPER HLA1076

2 Inch Offset Driver Assembly  
with Multi-Length Socket  
and Super-Key™ (T-Series)



**TECHNICAL DATA**

Operating Pressure .....	90 PSIA	Horsepower Rating .....	0.70
<b>MAX. TORQUE RATING</b> .....	300 in. lb (Motor) @ 90 PSIA	Air Consumption .....	22 SCFM
Socket Speed .....	250 RPM	Weight .....	3.8 lb

**TABLE 1**

COLLAR DRIVING HEX (Matches Socket Hex)	PIN RECESS HEX (Matches Super-Key Hex)	COMPLETE DRIVER ASSY. PART NO.	OFFSET ADAPTOR & SOCKET ASSY. PART NO.	EXTENDED SOCKET ASSY. PART NO.
3/16	1/16	HLA1076-187( )-062T	HLG321-187( )-062T	HLS76-187( )-062T
7/32		HLA1076-218( )-062T	HLG321-218( )-062T	HLS76-218( )-062T
1/4		HLA1076-250( )-062T	HLG321-250( )-062T	HLS76-250( )-062T
9/32		HLA1076-281( )-062T	HLG321-281( )-062T	HLS76-281( )-062T
5/16		HLA1076-312( )-062T	HLG321-312( )-062T	HLS76-312( )-062T
11/32		HLA1076-343( )-062T	HLG321-343( )-062T	HLS76-343( )-062T
7/32		5/64	HLA1076-218( )-078T	HLG321-218( )-078T
1/4	HLA1076-250( )-078T		HLG321-250( )-078T	HLS76-250( )-062T
9/32	HLA1076-281( )-078T		HLG321-281( )-078T	HLS76-281( )-062T
5/16	HLA1076-312( )-078T		HLG321-312( )-078T	HLS76-312( )-062T
11/32	HLA1076-343( )-078T		HLG321-343( )-078T	HLS76-343( )-062T
3/8	HLA1076-375( )-078T		HLG321-375( )-078T	HLS76-375( )-062T
5/16	HLA1076-312( )-094T		HLG321-312( )-094T	HLS76-312( )-062T
11/32	HLA1076-343( )-094T	HLG321-343( )-094T	HLS76-343( )-062T	
3/8	3/32	HLA1076-375( )-094T	HLG321-375( )-094T	HLS76-375( )-062T
		HLA1076-437( )-094T	HLG321-437( )-094T	HLS76-437( )-062T
3/8	1/8	HLA1076-375( )-125T	HLG321-375( )-125T	HLS76-375( )-062T
		HLA1076-437( )-125T	HLG321-437( )-125T	HLS76-437( )-062T

**TABLE 2**

A = 0.50	E = 0.75
B = 1.00	F = 1.75
C = 1.50	X = 4.00
D = 2.00	

DRIVER BASIC PART NO.

SOCKET HEX REF. TABLE 1

SOCKET LENGTH CODE (REF TABLE 2)

SUPER-KEY HEX REF. TABLE 1.

SUPER-KEY (T-SERIES)

**HLA1076-312 (E)-078 T**

Example: complete driver assy. part no.

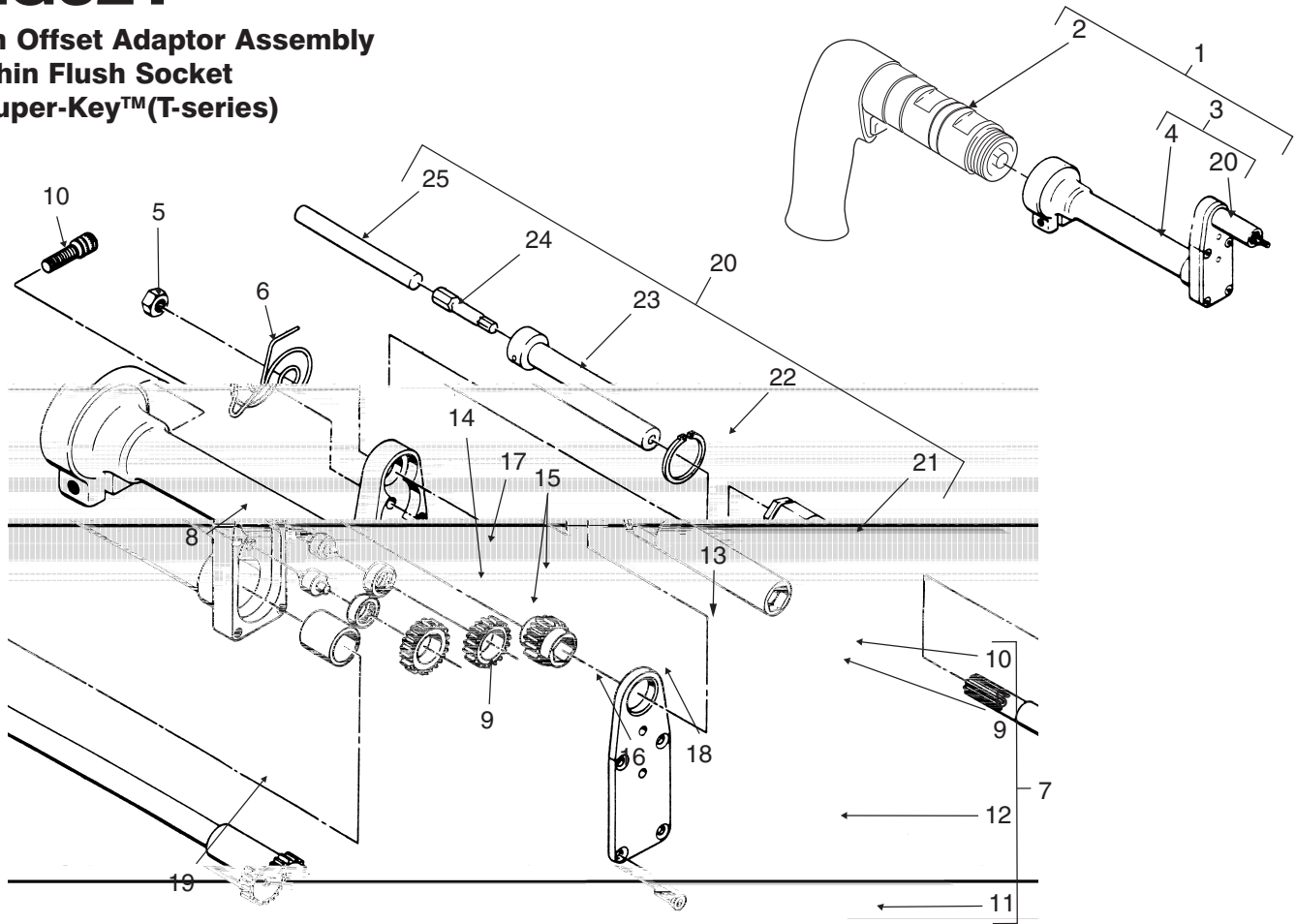
**ORDERING INFORMATION**

1. Match pin and collar hexes with Super-Key Hex and Socket Hex.
2. See table 1 for corresponding complete driver assy part no.
2. See table 2 for SOCKET LENGTH CODES



# HLG321

**1 Inch Offset Adaptor Assembly  
with Thin Flush Socket  
and Super-Key™(T-series)**



ITEM	PART NO.	DESCRIPTION	QTY	TABLE 3	
1	HLA1076-(-)(-)T	Tool assy., complete	1	<b>SOCKET</b>	
2	HLB1174-005	. Air motor assy.	1		
3	HLG321-(-)(-)T	. Offset adaptor and socket assy.	1	HEX SIZE (Matches Collar Driving Hex)	PART NO.
4	HLG321	.. Offset adaptor assy.	1	3/16	HLS47-187( )
5	AN364-632C	... Nut, hex	1	7/32	HLS47-218( )
6	HLB1475-5	... Spring, ejector	1	1/4	HLS47-250( )
7	HLB169-13	... Housing assy., complete	1	9/32	HLS47-281( )
8	HLB168-13	.... Housing sub-assy.	1	5/16	HLS47-312( )
9	B810-5	..... Bushing	1	11/32	HLS47-343( )
10	1/4-28 x 5/8 lg.	.... Cap screw, socket head	1	3/8	HLS47-375( )
11	6-32 x 3/8 lg.	.... Screw, countersunk - 82°	4	7/16	HLS47-437( )
12	HLB174	.... Plate, cover	1	<b>TABLE 4</b>	
13	HLB23-437	... Gear, socket - 7/16 thru hex	1		
14	HLB159	... Shaft, no. 2 intermediate	1	<b>SUPER-KEY</b>	
15	B34	... Bearing (Torrington)	2		
16	HLB106-11	... Gear, no. 2 intermediate	1	HEX SIZE (Matches Pin Recess Hex)	PART NO.
17	HLB105	... Shaft, no. 1 intermediate	1	1/16	HLT140K-062
18	HLB106-11	... Gear, no. 1 intermediate	1	5/64	HLT140K-078
19	HLB103-5	... Gear, drive	1	3/32	HLT140K-094
20	HLS76-(-)(-)T	.. Socket assy., extended	1	1/8	HLT140K-125
21	HLS47-(-)(-)	... Socket (see Table 3)	1		
22	5100-50	... Retaining ring	1		
23	HLB1665-(-)(-)	... Holder	1		
24	HLT140K-(-)	... Super-Key (see Table 4)	1		
25	HLB1616-(-)	... Spacer	1		