

MS27212 & AS27212

MOLDED-IN-STUD, ELECTRIC TERMINAL BOARDS

INSULATION MATERIAL:

DIALYLISOPHTHALATE GDI-30F.

TOTAL CONTINUOUS RATING: (155 DEG. C) (311 DEG. F).

STUD MATERIAL:

CORROSION-RESISTANT STAINLESS STEEL.

MAXIMUM TORQUE:

MS27212-1 (6-32 UNC-2A STUD)	22 INCH POUNDS MAX.
MS27212-6 (8-32 UNC-2A STUD)	32 INCH POUNDS MAX.
MS27212-2 (10-32 UNF-2A STUD)	40 INCH POUNDS MAX.
MS27212-3 (1/4-28 UNF-2A STUD)	150 INCH POUNDS MAX.
MS27212-4 (5/16-24 UNF-2A STUD)	170 INCH POUNDS MAX.
MS27212-5 (3/8-24 UNF-2A STUD)	170 INCH POUNDS MAX.

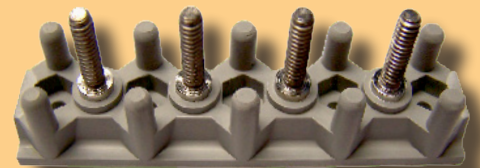
TERMINAL BOARDS:

EXCELLENT CORROSION-RESISTANCE.

EXCELLENT DIELECTRIC STRENGTH.

RESISTANCE TO THERMAL SHOCK.

EXCELLENT MOISTURE RESISTANCE.



MS27212-1-4 SHOWN



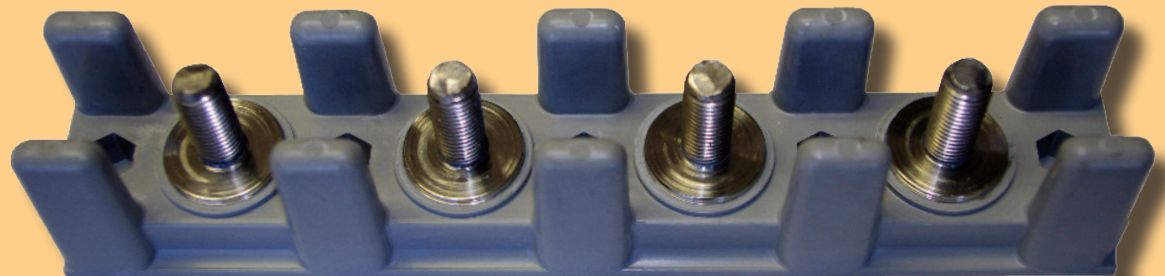
MS27212-6-4 SHOWN



MS27212-2-4 SHOWN



MS27212-3-4 SHOWN



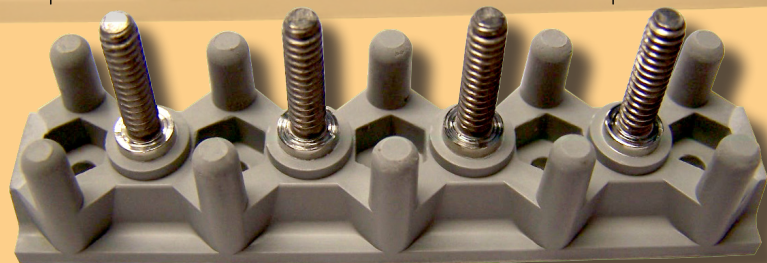
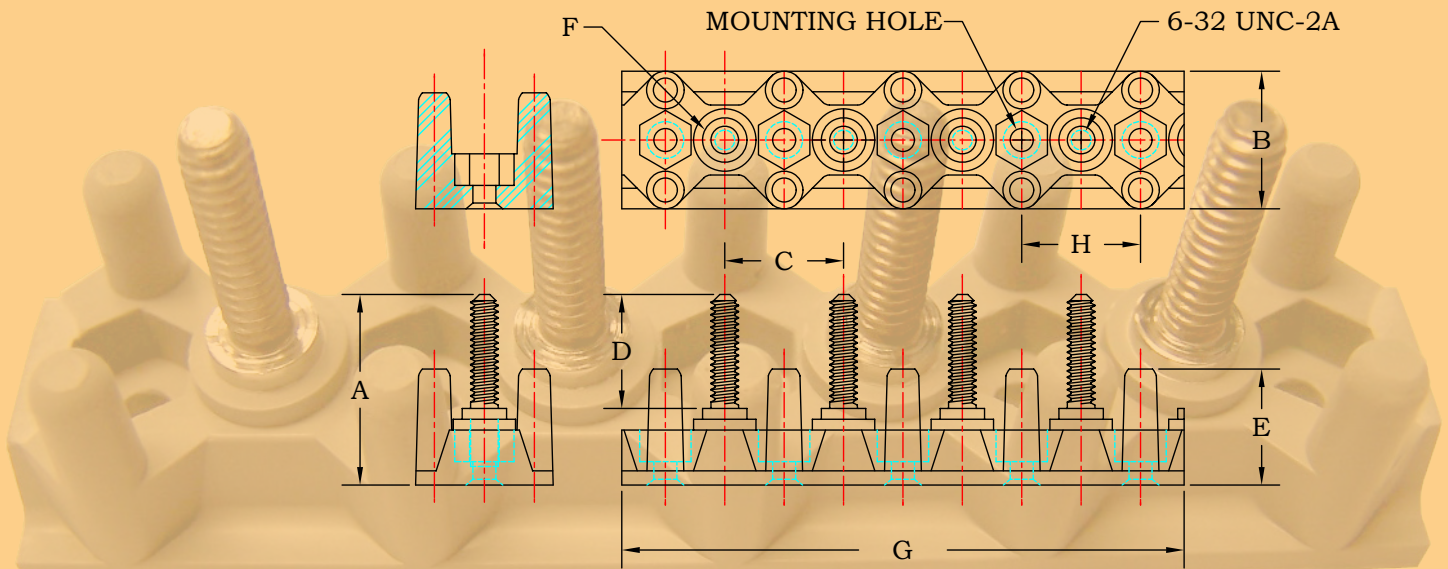
MS27212-4-4 SHOWN



MS27212-5-4 SHOWN

MS27212 MOLDED IN STUD, ELECTRICAL TERMINAL BOARD ASSEMBLY

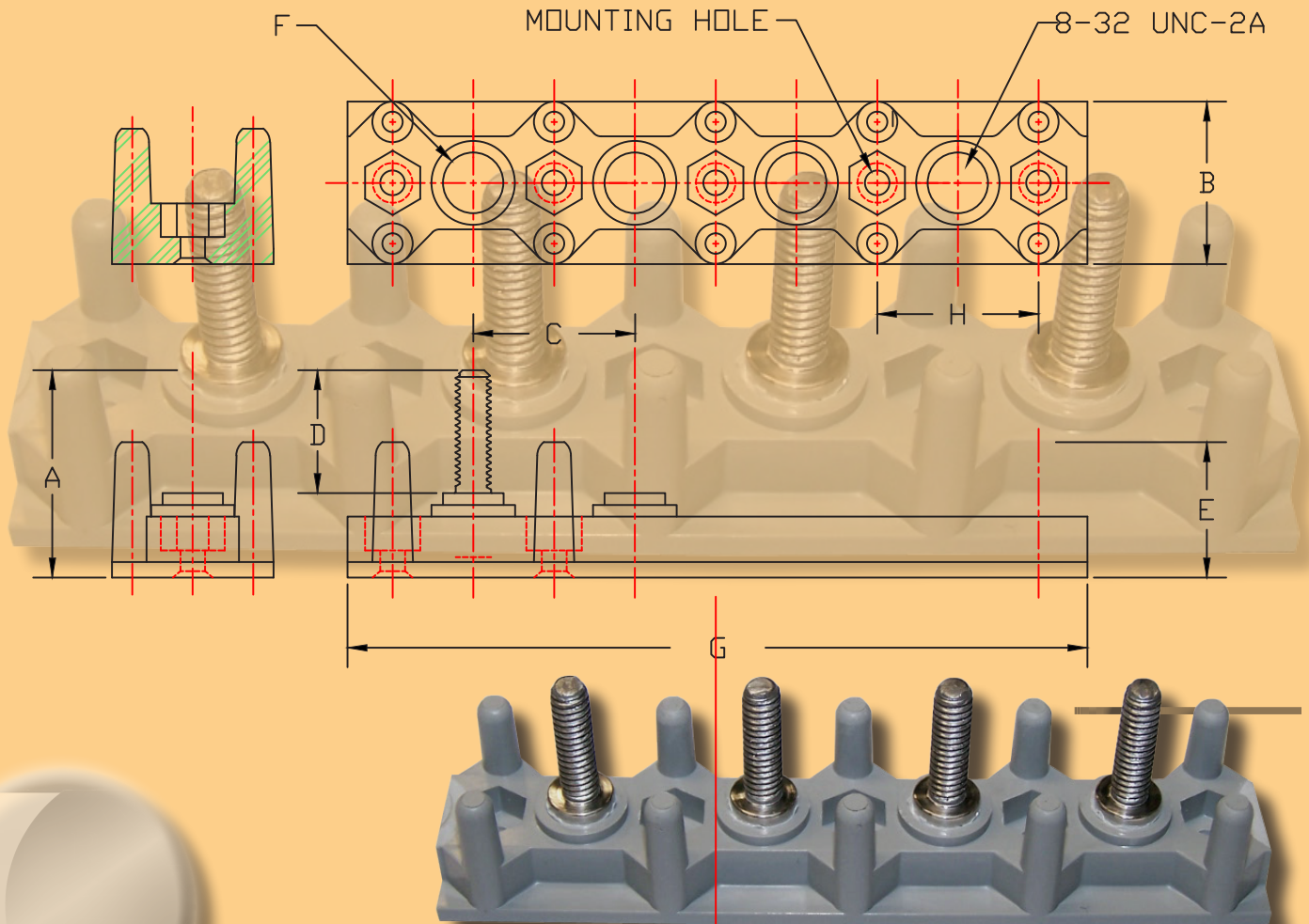
Part Number	Stud Size	Number of Studs	Overall Height Dim (A)	Overall Width Dim (B)	Stud Spacing Dim (C)	Stud Height Dim (D)	Terminal Board Post Height Dim (E)	Stud Terminal Mounting Dia. Dim (F)	Overall Length Dim (G)	Terminal Board Mounting Hole Spacing Dim (H)	Terminal Board Mounting Bolt & Hex Nut Size
MS27212-1-20	6-32 UNC-2A	20	.953	.688	.594	.522	.580	.222	12.316	.594	4-40-UNC
MS27212-1-19	6-32 UNC-2A	19	.953	.688	.594	.522	.580	.222	11.722	.594	4-40-UNC
MS27212-1-18	6-32 UNC-2A	18	.953	.688	.594	.522	.580	.222	11.128	.594	4-40-UNC
MS27212-1-17	6-32 UNC-2A	17	.953	.688	.594	.522	.580	.222	10.534	.594	4-40-UNC
MS27212-1-16	6-32 UNC-2A	16	.953	.688	.594	.522	.580	.222	9.940	.594	4-40-UNC
MS27212-1-15	6-32 UNC-2A	15	.953	.688	.594	.522	.580	.222	9.346	.594	4-40-UNC
MS27212-1-14	6-32 UNC-2A	14	.953	.688	.594	.522	.580	.222	8.752	.594	4-40-UNC
MS27212-1-13	6-32 UNC-2A	13	.953	.688	.594	.522	.580	.222	8.158	.594	4-40-UNC
MS27212-1-12	6-32 UNC-2A	12	.953	.688	.594	.522	.580	.222	7.564	.594	4-40-UNC
MS27212-1-11	6-32 UNC-2A	11	.953	.688	.594	.522	.580	.222	6.970	.594	4-40-UNC
MS27212-1-10	6-32 UNC-2A	10	.953	.688	.594	.522	.580	.222	6.376	.594	4-40-UNC
MS27212-1-9	6-32 UNC-2A	9	.953	.688	.594	.522	.580	.222	5.782	.594	4-40-UNC
MS27212-1-8	6-32 UNC-2A	8	.953	.688	.594	.522	.580	.222	5.188	.594	4-40-UNC
MS27212-1-7	6-32 UNC-2A	7	.953	.688	.594	.522	.580	.222	4.594	.594	4-40-UNC
MS27212-1-6	6-32 UNC-2A	6	.953	.688	.594	.522	.580	.222	4.000	.594	4-40-UNC
MS27212-1-5	6-32 UNC-2A	5	.953	.688	.594	.522	.580	.222	3.406	.594	4-40-UNC
MS27212-1-4	6-32 UNC-2A	4	.953	.688	.594	.522	.580	.222	2.812	.594	4-40-UNC
MS27212-1-3	6-32 UNC-2A	3	.953	.688	.594	.522	.580	.222	2.218	.594	4-40-UNC
MS27212-1-2	6-32 UNC-2A	2	.953	.688	.594	.522	.580	.222	1.624	.594	4-40-UNC
MS27212-1-1	6-32 UNC-2A	1	.953	.688	.594	.522	.580	.222	1.030	.594	4-40-UNC



MS27212-1-4 SHOWN

MS27212-6 MOLDED IN STUD, ELECTRICAL TERMINAL BOARD ASSEMBLY

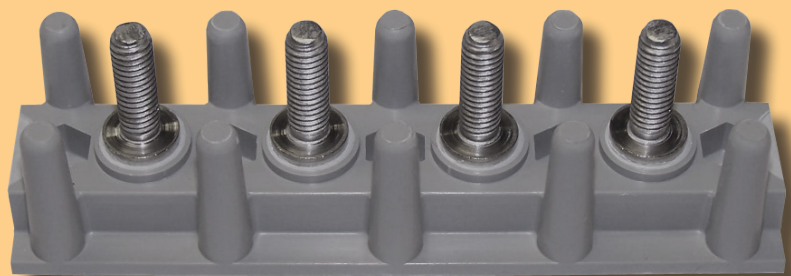
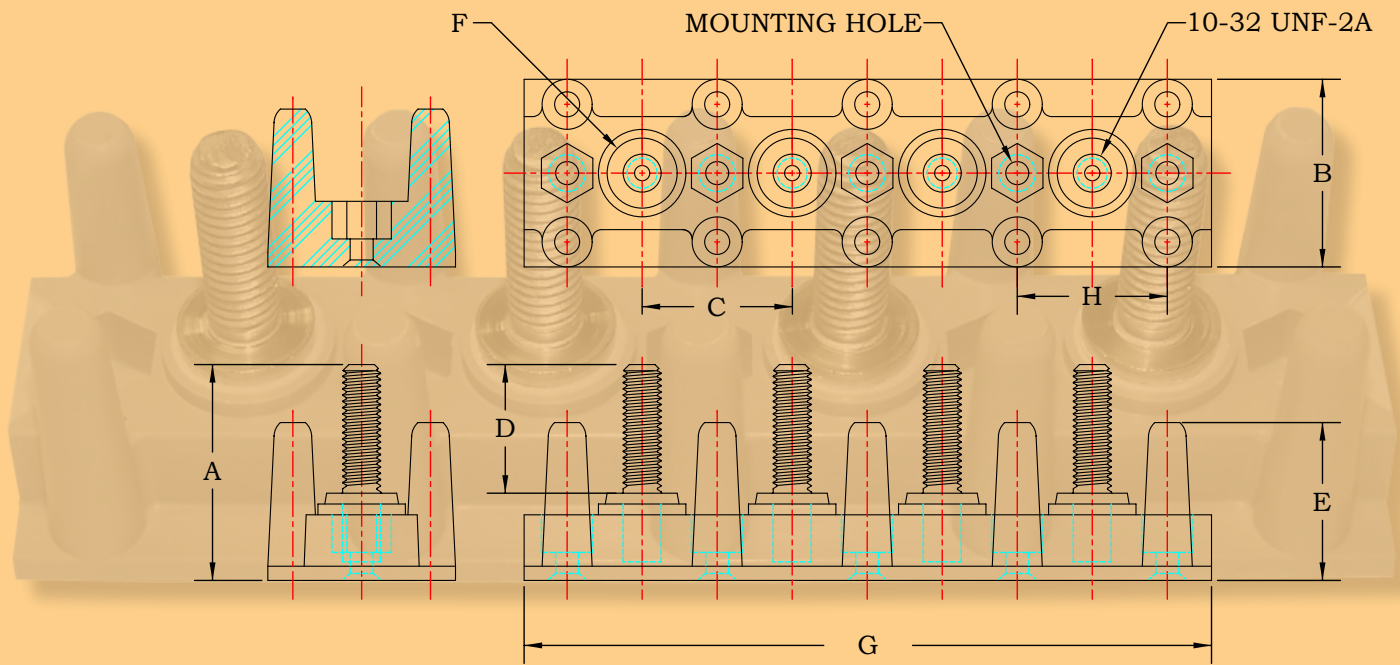
Part Number	Stud Size	Number of Studs	Overall Height Dim (A)	Overall Width Dim (B)	Stud Spacing Dim (C)	Stud Height Dim (D)	Terminal Board Post Height Dim (E)	Stud Terminal Mounting Dia. Dim (F)	Overall Length Dim (G)	Terminal Board Mounting Hole Spacing Dim (H)	Terminal Board Mounting Bolt & Hex Nut Size
MS27212-6-16	8-32 UNC-2A	16	1.005	.750	.750	.568	.625	.281	12.436	.750	4-40-UNC
MS27212-6-15	8-32 UNC-2A	15	1.005	.750	.750	.568	.625	.281	11.686	.750	4-40-UNC
MS27212-6-14	8-32 UNC-2A	14	1.005	.750	.750	.568	.625	.281	10.936	.750	4-40-UNC
MS27212-6-13	8-32 UNC-2A	13	1.005	.750	.750	.568	.625	.281	10.186	.750	4-40-UNC
MS27212-6-12	8-32 UNC-2A	12	1.005	.750	.750	.568	.625	.281	9.436	.750	4-40-UNC
MS27212-6-11	8-32 UNC-2A	11	1.005	.750	.750	.568	.625	.281	8.686	.750	4-40-UNC
MS27212-6-10	8-32 UNC-2A	10	1.005	.750	.750	.568	.625	.281	7.936	.750	4-40-UNC
MS27212-6-9	8-32 UNC-2A	9	1.005	.750	.750	.568	.625	.281	7.186	.750	4-40-UNC
MS27212-6-8	8-32 UNC-2A	8	1.005	.750	.750	.568	.625	.281	6.436	.750	4-40-UNC
MS27212-6-7	8-32 UNC-2A	7	1.005	.750	.750	.568	.625	.281	5.686	.750	4-40-UNC
MS27212-6-6	8-32 UNC-2A	6	1.005	.750	.750	.568	.625	.281	4.936	.750	4-40-UNC
MS27212-6-5	8-32 UNC-2A	5	1.005	.750	.750	.568	.625	.281	4.186	.750	4-40-UNC
MS27212-6-4	8-32 UNC-2A	4	1.005	.750	.750	.568	.625	.281	3.436	.750	4-40-UNC
MS27212-6-3	8-32 UNC-2A	3	1.005	.750	.750	.568	.625	.281	2.686	.750	4-40-UNC
MS27212-6-2	8-32 UNC-2A	2	1.005	.750	.750	.568	.625	.281	1.936	.750	4-40-UNC
MS27212-6-1	8-32 UNC-2A	1	1.005	.750	.750	.568	.625	.281	1.186	.750	4-40-UNC



MS27212-6-4 SHOWN

MS27212-2 MOLDED IN STUD, ELECTRICAL TERMINAL BOARD ASSEMBLY

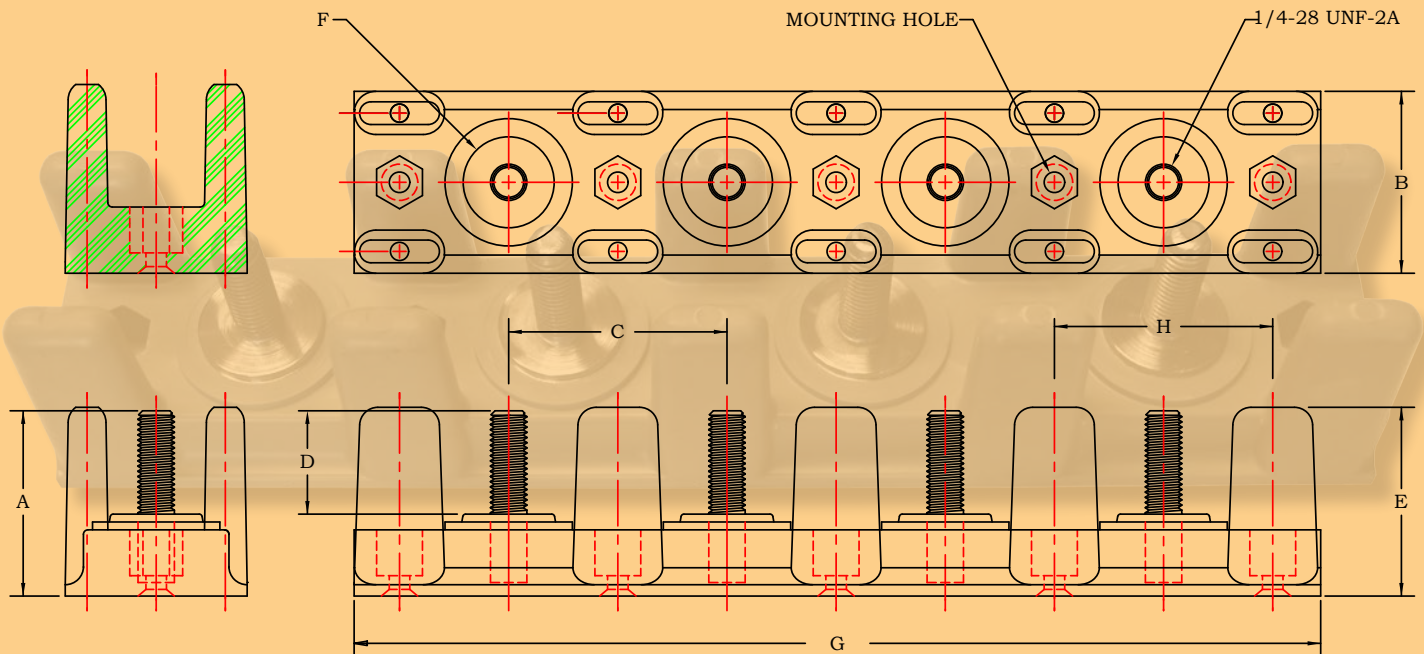
Part Number	Stud Size	Number of Studs	Overall Height Dim (A)	Overall Width Dim (B)	Stud Spacing Dim (C)	Stud Height Dim (D)	Terminal Board Post Height Dim (E)	Stud Terminal Mounting Dia. Dim (F)	Overall Length Dim (G)	Terminal Board Mounting Hole Spacing Dim (H)	Terminal Board Mounting Bolt & Hex Nut Size
MS27212-2-16	10-32 UNF-2A	16	1.079	.936	.750	.595	.798	.350	12.436	.750	4-40-UNC
MS27212-2-15	10-32 UNF-2A	15	1.079	.936	.750	.595	.798	.350	11.686	.750	4-40-UNC
MS27212-2-14	10-32 UNF-2A	14	1.079	.936	.750	.595	.798	.350	10.936	.750	4-40-UNC
MS27212-2-13	10-32 UNF-2A	13	1.079	.936	.750	.595	.798	.350	10.186	.750	4-40-UNC
MS27212-2-12	10-32 UNF-2A	12	1.079	.936	.750	.595	.798	.350	9.436	.750	4-40-UNC
MS27212-2-11	10-32 UNF-2A	11	1.079	.936	.750	.595	.798	.350	8.686	.750	4-40-UNC
MS27212-2-10	10-32 UNF-2A	10	1.079	.936	.750	.595	.798	.350	7.936	.750	4-40-UNC
MS27212-2-9	10-32 UNF-2A	9	1.079	.936	.750	.595	.798	.350	7.186	.750	4-40-UNC
MS27212-2-8	10-32 UNF-2A	8	1.079	.936	.750	.595	.798	.350	6.436	.750	4-40-UNC
MS27212-2-7	10-32 UNF-2A	7	1.079	.936	.750	.595	.798	.350	5.686	.750	4-40-UNC
MS27212-2-6	10-32 UNF-2A	6	1.079	.936	.750	.595	.798	.350	4.936	.750	4-40-UNC
MS27212-2-5	10-32 UNF-2A	5	1.079	.936	.750	.595	.798	.350	4.186	.750	4-40-UNC
MS27212-2-4	10-32 UNF-2A	4	1.079	.936	.750	.595	.798	.350	3.436	.750	4-40-UNC
MS27212-2-3	10-32 UNF-2A	3	1.079	.936	.750	.595	.798	.350	2.686	.750	4-40-UNC
MS27212-2-2	10-32 UNF-2A	2	1.079	.936	.750	.595	.798	.350	1.936	.750	4-40-UNC
MS27212-2-1	10-32 UNF-2A	1	1.079	.936	.750	.595	.798	.350	1.186	.750	4-40-UNC



MS27212-2-4 SHOWN

MS27212-3 MOLDED IN STUD, ELECTRICAL TERMINAL BOARD ASSEMBLY

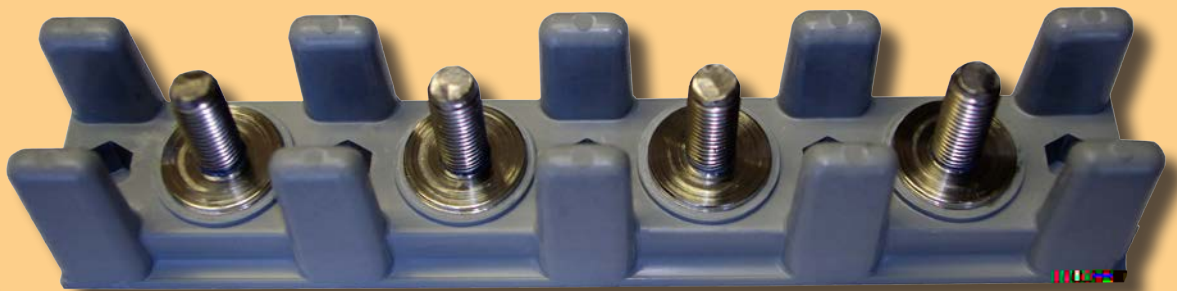
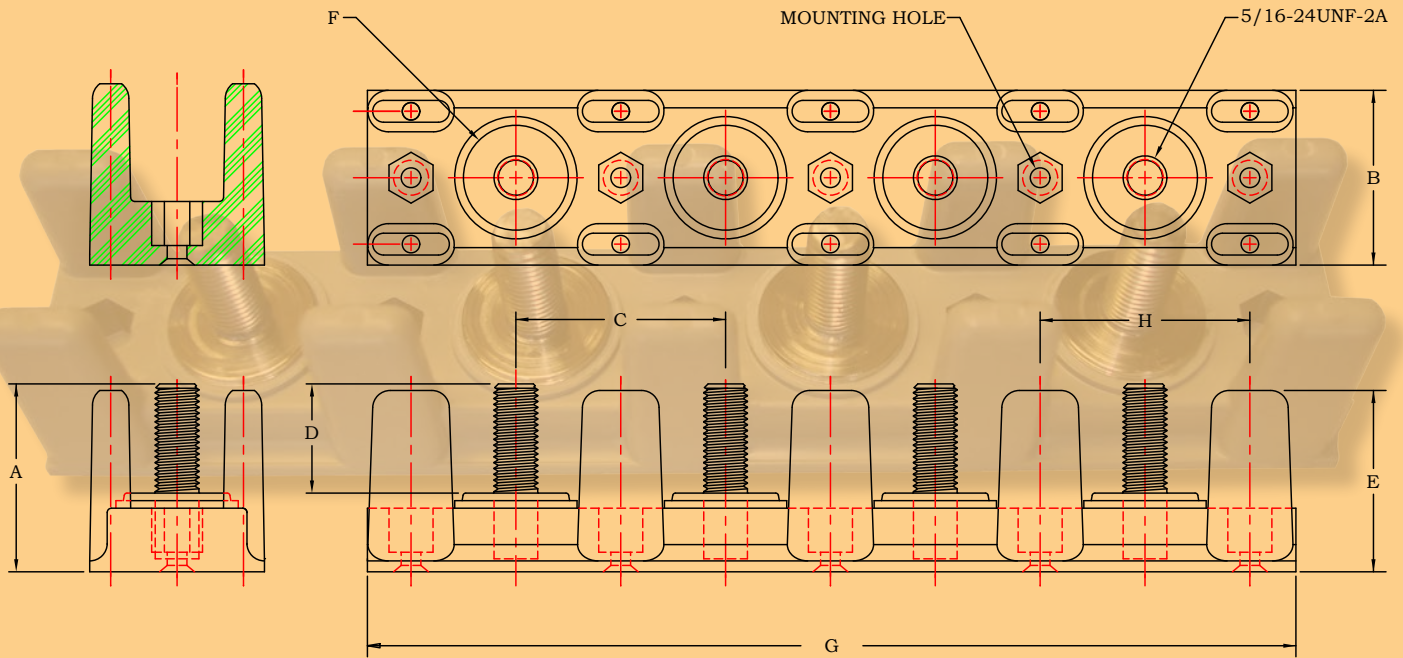
Part Number	Stud Size	Number of Studs	Overall Height Dim (A)	Overall Width Dim (B)	Stud Spacing Dim (C)	Stud Height Dim (D)	Terminal Board Post Height Dim (E)	Stud Terminal Mounting Dia. Dim (F)	Overall Length Dim (G)	Terminal Board Mounting Hole Spacing Dim (H)	Terminal Board Mounting Bolt & Hex Nut Size
MS27212-3-8	1/4-28 UNF-2A	8	1.321	1.250	1.500	.710	1.297	.625	12.624	1.500	6-32-UNC
MS27212-3-7	1/4-28 UNF-2A	7	1.321	1.250	1.500	.710	1.297	.625	11.124	1.500	6-32-UNC
MS27212-3-6	1/4-28 UNF-2A	6	1.321	1.250	1.500	.710	1.297	.625	9.624	1.500	6-32-UNC
MS27212-3-5	1/4-28 UNF-2A	5	1.321	1.250	1.500	.710	1.297	.625	8.124	1.500	6-32-UNC
MS27212-3-4	1/4-28 UNF-2A	4	1.321	1.250	1.500	.710	1.297	.625	6.624	1.500	6-32-UNC
MS27212-3-3	1/4-28 UNF-2A	3	1.321	1.250	1.500	.710	1.297	.625	5.124	1.500	6-32-UNC
MS27212-3-2	1/4-28 UNF-2A	2	1.321	1.250	1.500	.710	1.297	.625	3.624	1.500	6-32-UNC
MS27212-3-1	1/4-28 UNF-2A	1	1.321	1.250	1.500	.710	1.297	.625	2.124	1.500	6-32-UNC



MS27212-3-4 SHOWN

MS27212-4 MOLDED IN STUD, ELECTRICAL TERMINAL BOARD ASSEMBLY

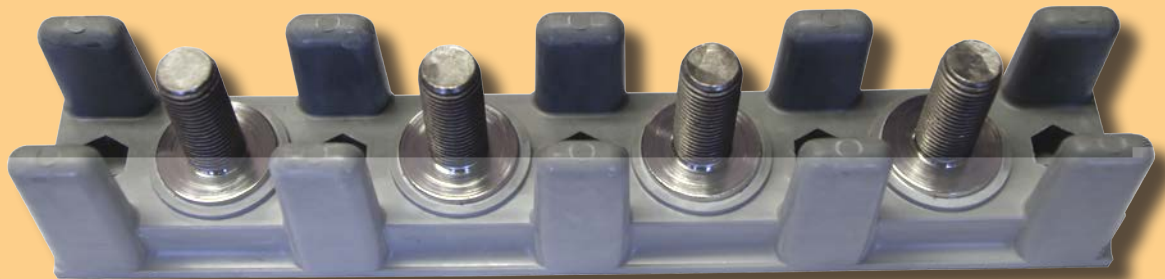
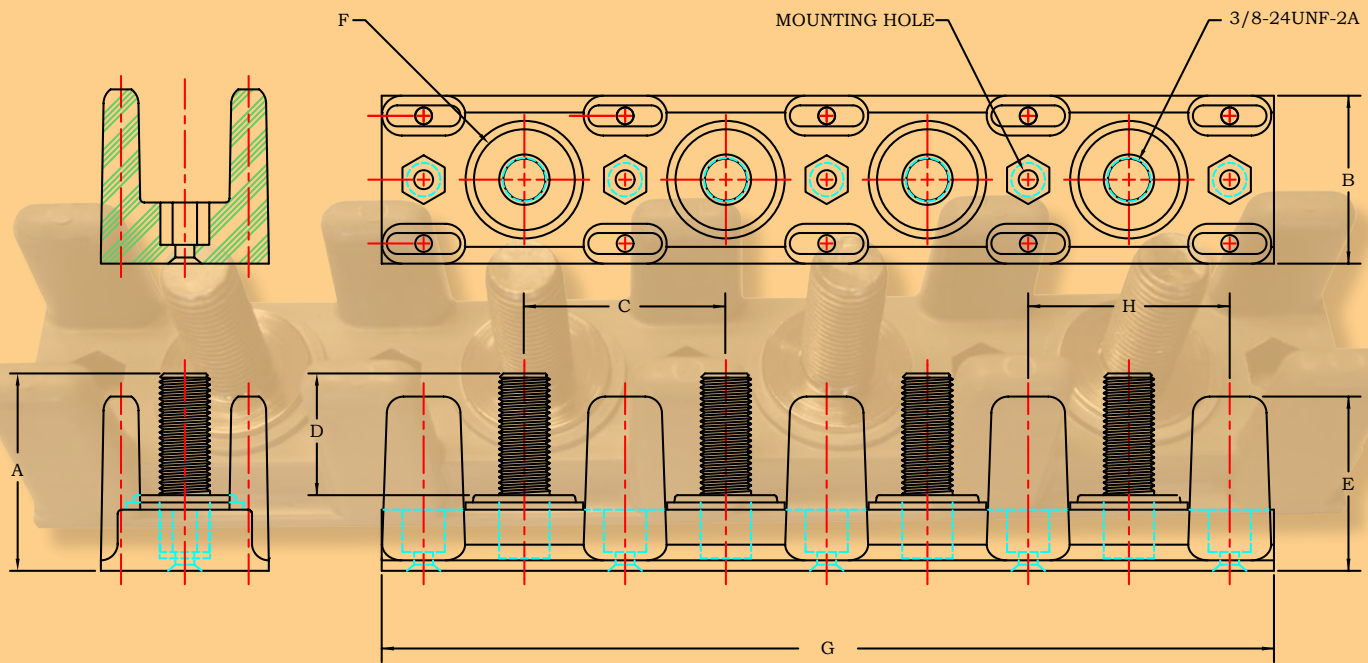
Part Number	Stud Size	Number of Studs	Overall Height Dim (A)	Overall Width Dim (B)	Stud Spacing Dim (C)	Stud Height Dim (D)	Terminal Board Post Height Dim (E)	Stud Terminal Mounting Dia. Dim (F)	Overall Length Dim (G)	Terminal Board Mounting Hole Spacing Dim (H)	Terminal Board Mounting Bolt & Hex Nut Size
MS27212-4-8	5/16-24 UNF-2A	8	1.392	1.250	1.500	.781	1.297	.750	12.624	1.500	6-32-UNC
MS27212-4-7	5/16-24 UNF-2A	7	1.392	1.250	1.500	.781	1.297	.750	11.124	1.500	6-32-UNC
MS27212-4-6	5/16-24 UNF-2A	6	1.392	1.250	1.500	.781	1.297	.750	9.624	1.500	6-32-UNC
MS27212-4-5	5/16-24 UNF-2A	5	1.392	1.250	1.500	.781	1.297	.750	8.124	1.500	6-32-UNC
MS27212-4-4	5/16-24 UNF-2A	4	1.392	1.250	1.500	.781	1.297	.750	6.624	1.500	6-32-UNC
MS27212-4-3	5/16-24 UNF-2A	3	1.392	1.250	1.500	.781	1.297	.750	5.124	1.500	6-32-UNC
MS27212-4-2	5/16-24 UNF-2A	2	1.392	1.250	1.500	.781	1.297	.750	3.624	1.500	6-32-UNC
MS27212-4-1	5/16-24 UNF-2A	1	1.392	1.250	1.500	.781	1.297	.750	2.124	1.500	6-32-UNC



MS27212-4-4 SHOWN

MS27212-5 MOLDED IN STUD, ELECTRICAL TERMINAL BOARD ASSEMBLY

Part Number	Stud Size	Number of Studs	Overall Height Dim (A)	Overall Width Dim (B)	Stud Spacing Dim (C)	Stud Height Dim (D)	Terminal Board Post Height Dim (E)	Stud Terminal Mounting Dia. Dim (F)	Overall Length Dim (G)	Terminal Board Mounting Hole Spacing Dim (H)	Terminal Board Mounting Bolt & Hex Nut Size
MS27212-5-8	3/8-24 UNF-2A	8	1.517	1.250	1.500	.906	1.297	.750	12.624	1.500	6-32-UNC
MS27212-5-7	3/8-24 UNF-2A	7	1.517	1.250	1.500	.906	1.297	.750	11.124	1.500	6-32-UNC
MS27212-5-6	3/8-24 UNF-2A	6	1.517	1.250	1.500	.906	1.297	.750	9.624	1.500	6-32-UNC
MS27212-5-5	3/8-24 UNF-2A	5	1.517	1.250	1.500	.906	1.297	.750	8.124	1.500	6-32-UNC
MS27212-5-4	3/8-24 UNF-2A	4	1.517	1.250	1.500	.906	1.297	.750	6.624	1.500	6-32-UNC
MS27212-5-3	3/8-24 UNF-2A	3	1.517	1.250	1.500	.906	1.297	.750	5.124	1.500	6-32-UNC
MS27212-5-2	3/8-24 UNF-2A	2	1.517	1.250	1.500	.906	1.297	.750	3.624	1.500	6-32-UNC
MS27212-5-1	3/8-24 UNF-2A	1	1.517	1.250	1.500	.906	1.297	.750	2.124	1.500	6-32-UNC



MS27212-5-4 SHOWN