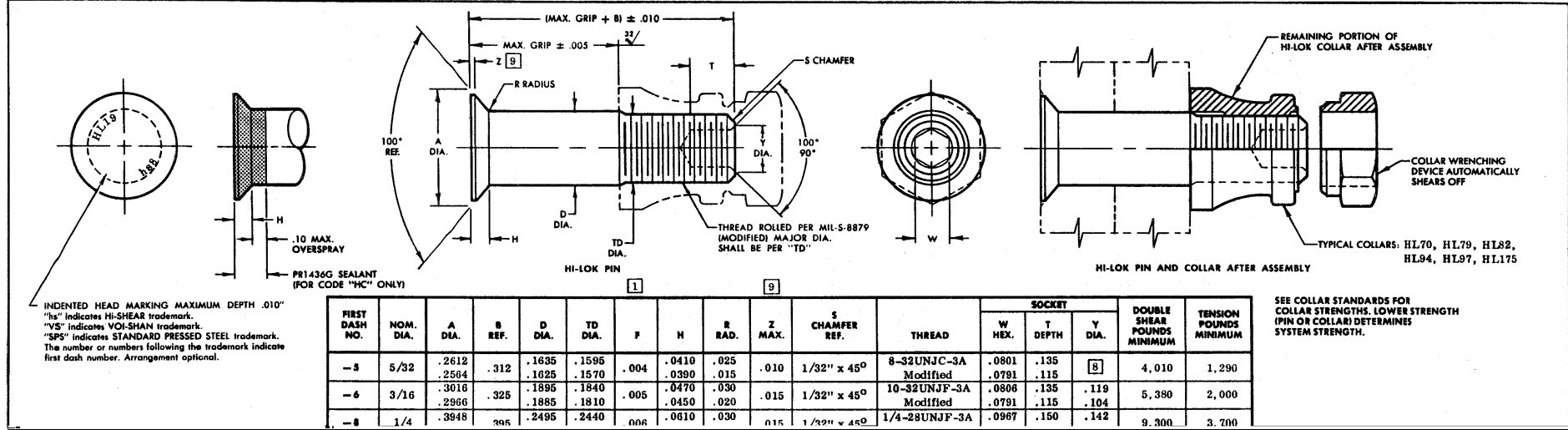


**STANDARDS COMMITTEE
FOR HI-LOK® PRODUCTS**
2600 SKYPARK DRIVE, TORRANCE, CALIFORNIA 90509

HI-SHEAR CORPORATION, U.S.A. (Patent Holder) U.S. Federal Code I.D. No. 72187	HI-SHEAR FASTENERS EUROPE, LTD. U.K. (Licensee)
Division of Hi-Shear Industries Inc., U.S.A.	Division of Hi-Shear Industries Inc., U.S.A.
ARI INDUSTRIES CO., INC. (Licensee) U.S. Federal Code I.D. No. 08728	KANAX-WERKE, Germany (Licensee-EEC Countries)
DEUTSCH FASTENER CO., INC. (Licensee) U.S. Federal Code I.D. No. 97328	Mitsubishi Kasei Sangyo, Ltd. (Licensee-EEC Countries)
SPS TECHNOLOGIES, U.S.A. (Licensee) U.S. Federal Code I.D. No. 96878	ST. CHAMOND GRANAT, S.A. France (Licensee-EEC Countries)
VOI-SHAN, Division of VSI Corp., U.S.A. (Licensee) U.S. Federal Code I.D. No. 92215	SIMMONDS, S.A. France (Licensee-EEC Countries)
WEST COAST AEROSPACE INC., U.S.A. (Licensee) U.S. Federal Code I.D. No. 96516	Collars (Licensee-EEC Countries)
Pat. & Sheet Collars	TOKYO SCREW COMPANY, Japan (Licensee-Japan)



FIRST DASH NO.	NOM. DIA.	A DIA.	B REF.	D DIA.	TD DIA.	F	H	R RAD.	Z MAX.	S CHAMFER REF.	THREAD	SOCKET			DOUBLE SHEAR POUNDS MINIMUM	TENSION POUNDS MINIMUM
												W HEX.	T DEPTH	Y DIA.		
-5	5/32	.2612 .2564	.312	.1635 .1625	.1595 .1570	.004	.0410 .0390	.025 .015	.010	1/32" x 45°	8-32UNJC-3A Modified	.0801 .0791	.135 .115	8	4,010	1,290
-6	3/16	.3016 .2966	.325	.1895 .1885	.1840 .1810	.005	.0470 .0450	.030 .020	.015	1/32" x 45°	10-32UNJF-3A Modified	.0806 .0791	.135 .115	.119 .104	5,380	2,000
-8	1/4	.3948	REF.	.2495	.2440	.006	.0610	.030	.015	1/32" x 45°	1/4-28UNJF-3A	.0967	.150	.142	9,300	3,700

SEE COLLAR STANDARDS FOR COLLAR STRENGTHS. LOWER STRENGTH (PIN OR COLLAR) DETERMINES SYSTEM STRENGTH.