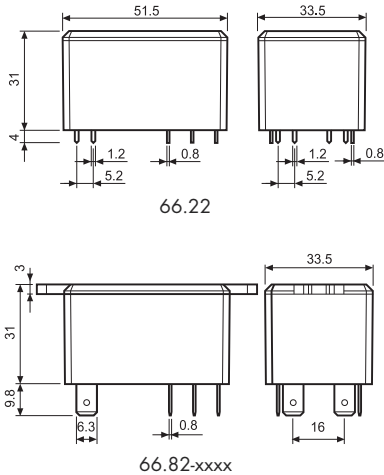


Features

**2 Pole Changeover (DPDT)
30 A Power relay**

- 66.22 PCB connections & mount**
- 66.82 Faston 250 connections**
- Flange mount

- Reinforced insulation between coil and contacts according to EN 60335-1; 8 mm creepage and clearance distances
- AC coils & DC coils
- Cadmium Free option available



FOR UL HORSEPOWER AND PILOT DUTY RATINGS
SEE "General technical information" page V

Contact specification

Contact configuration		2 CO (DPDT)	2 CO (DPDT)
Rated current/Maximum peak current	A	30/50 (NO) - 10/20 (NC)	30/50 (NO) - 10/20 (NC)
Rated voltage/Maximum switching voltage V AC		250/440	250/440
Rated load AC1	VA	7,500 (NO) - 2,500 (NC)	7,500 (NO) - 2,500 (NC)
Rated load AC15 (230 V AC)	VA	1,200 (NO)	1,200 (NO)
Single phase motor rating (230 V AC)	kW	1.5 (NO)	1.5 (NO)
Breaking capacity DC1: 30/110/220 V	A	25/0.7/0.3 (NO)	25/0.7/0.3 (NO)
Minimum switching load	mW (V/mA)	1,000 (10/10)	1,000 (10/10)
Standard contact material		AgCdO	AgCdO

Coil specification

Nominal voltage (U _N)	V AC (50/60 Hz)	6 - 12 - 24 - 110/115 - 120/125 - 230 - 240
	V DC	6 - 12 - 24 - 110 - 125
Rated power AC/DC	VA (50 Hz)/W	3.6/1.7
Operating range	AC	(0.8...1.1)U _N
	DC	(0.8...1.1)U _N
Holding voltage	AC/DC	0.8 U _N /0.5 U _N
Must drop-out voltage	AC/DC	0.2 U _N /0.1 U _N

Technical data

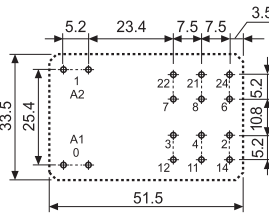
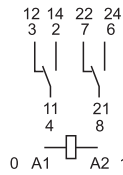
Mechanical life AC/DC	cycles	10 · 10 ⁶	10 · 10 ⁶
Electrical life at rated load AC1	cycles	100 · 10 ³	100 · 10 ³
Operate/release time	ms	8/15	8/15
Insulation between coil and contacts (1.2/50 μs)	kV	6 (8 mm)	6 (8 mm)
Dielectric strength between open contacts	V AC	1,500	1,500
Ambient temperature range	°C	-40...+70	-40...+70
Environmental protection		RT II	RT II

Approvals (according to type)

66.22



- 30 A rated contacts
- PCB mount - bifurcated terminals

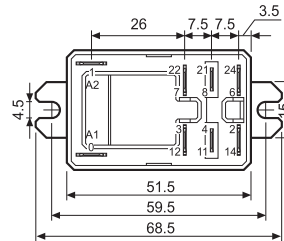
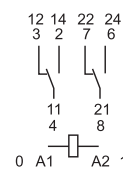


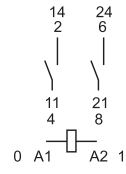
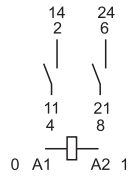
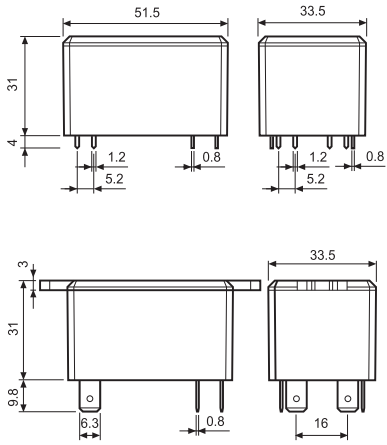
Copper side view

66.82



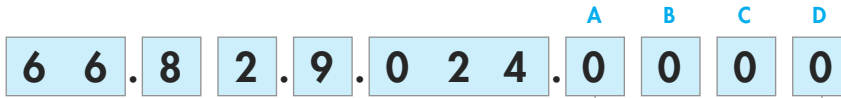
- 30 A rated contacts
- Flange mount
- Faston 250 connections





Ordering information

Example: 66 series relay, Faston 250 (6.3x0.8 mm) with top flange mount, 2 CO (DPDT) 30 A contacts, 24 V DC coil.



Series

Type

2 = PCB

8 = Faston 250 (6.3x0.8 mm)
with top flange mount

No. of poles

2 = 2 CO (DPDT) 30 A

Coil version

8 = AC (50/60 Hz)

9 = DC

Coil voltage

See coil specifications

A: Contact material

0 = Standard AgCdO

1 = AgNi

B: Contact circuit

0 = CO (nPDT)

3 = NO (nPST)

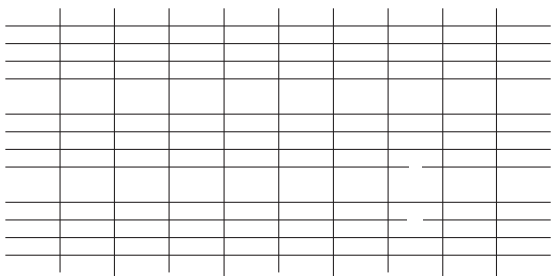
D: Special versions

0 = Standard

1 = Wash tight (RT III) for 66.22 only

C: Options

0 = None



Accessories

Top 35 mm rail (EN 60715) mount for types 66.82.xxxx.0x00

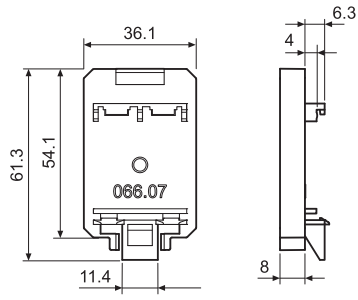
066.07



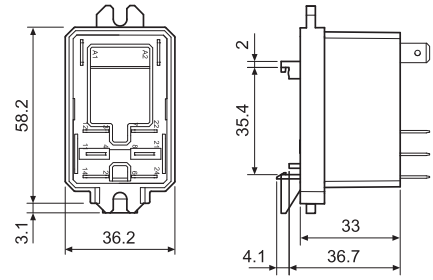
066.07



066.07 with relay



066.07



066.07 with relay

