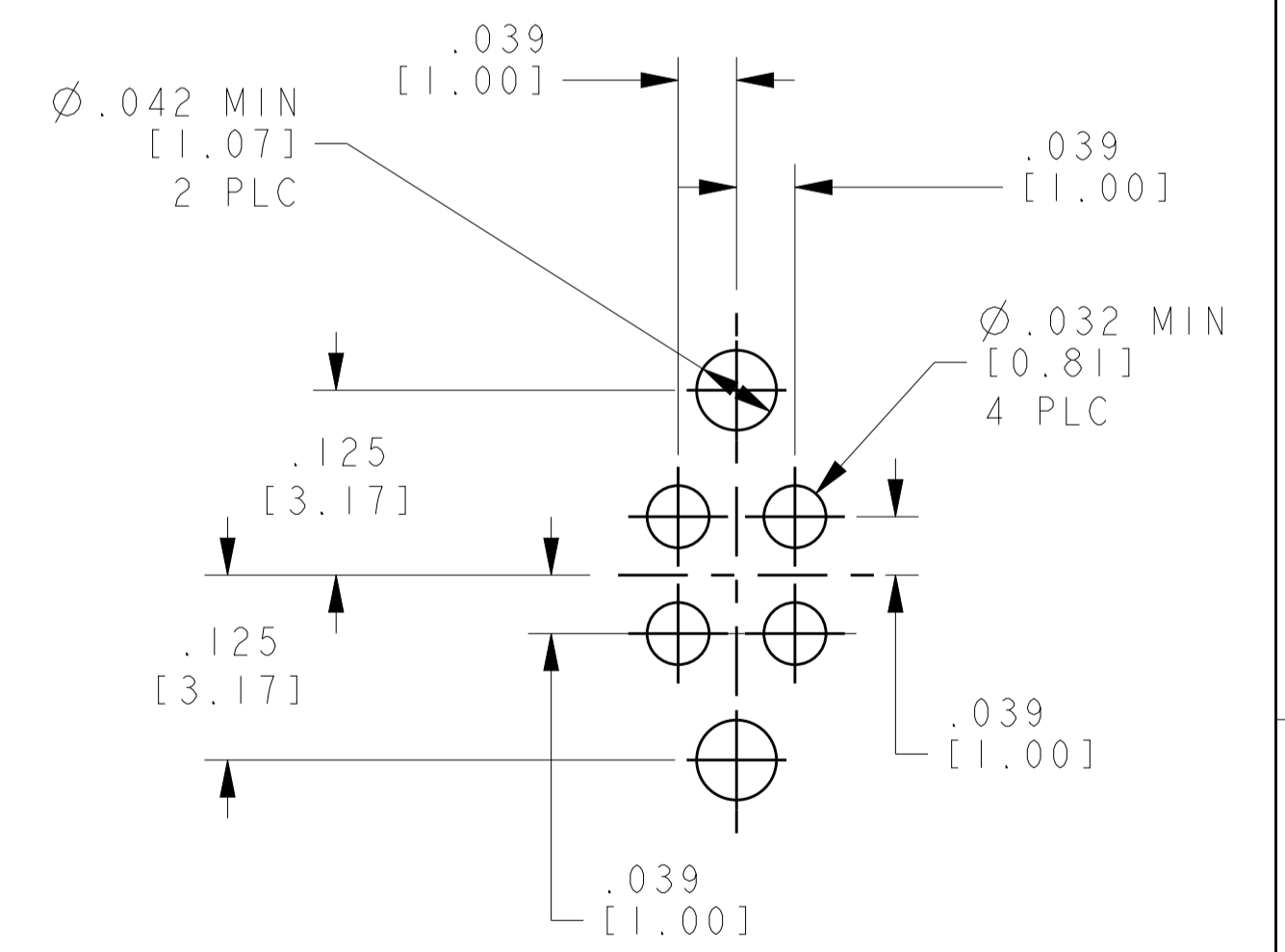
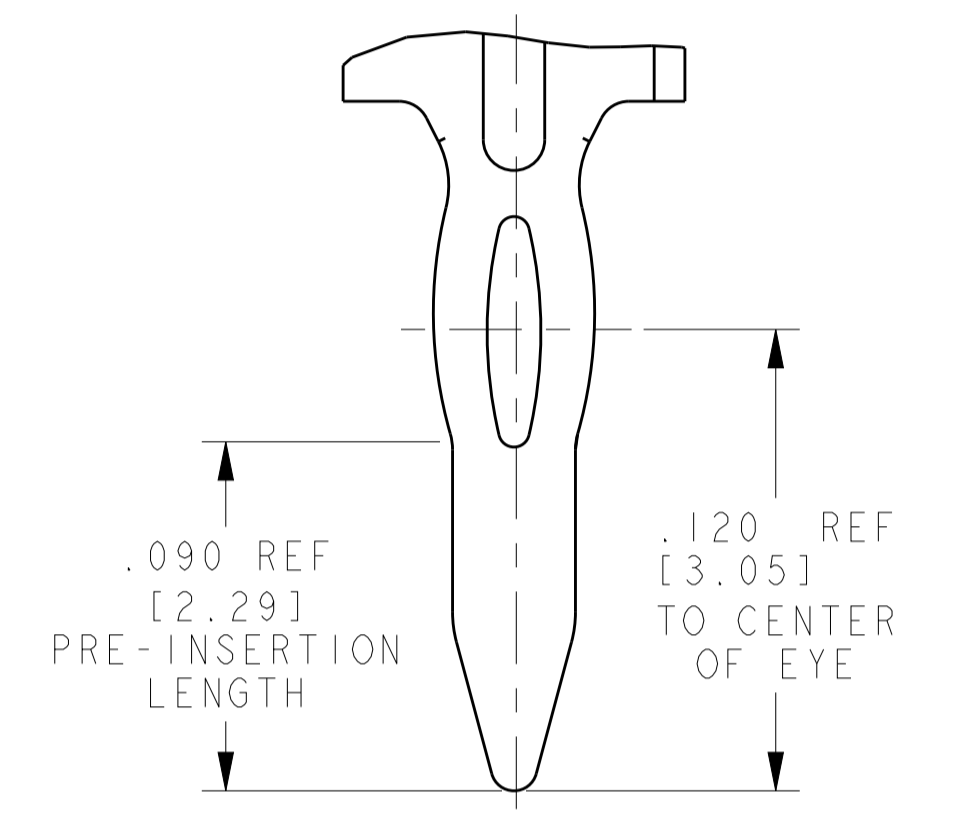
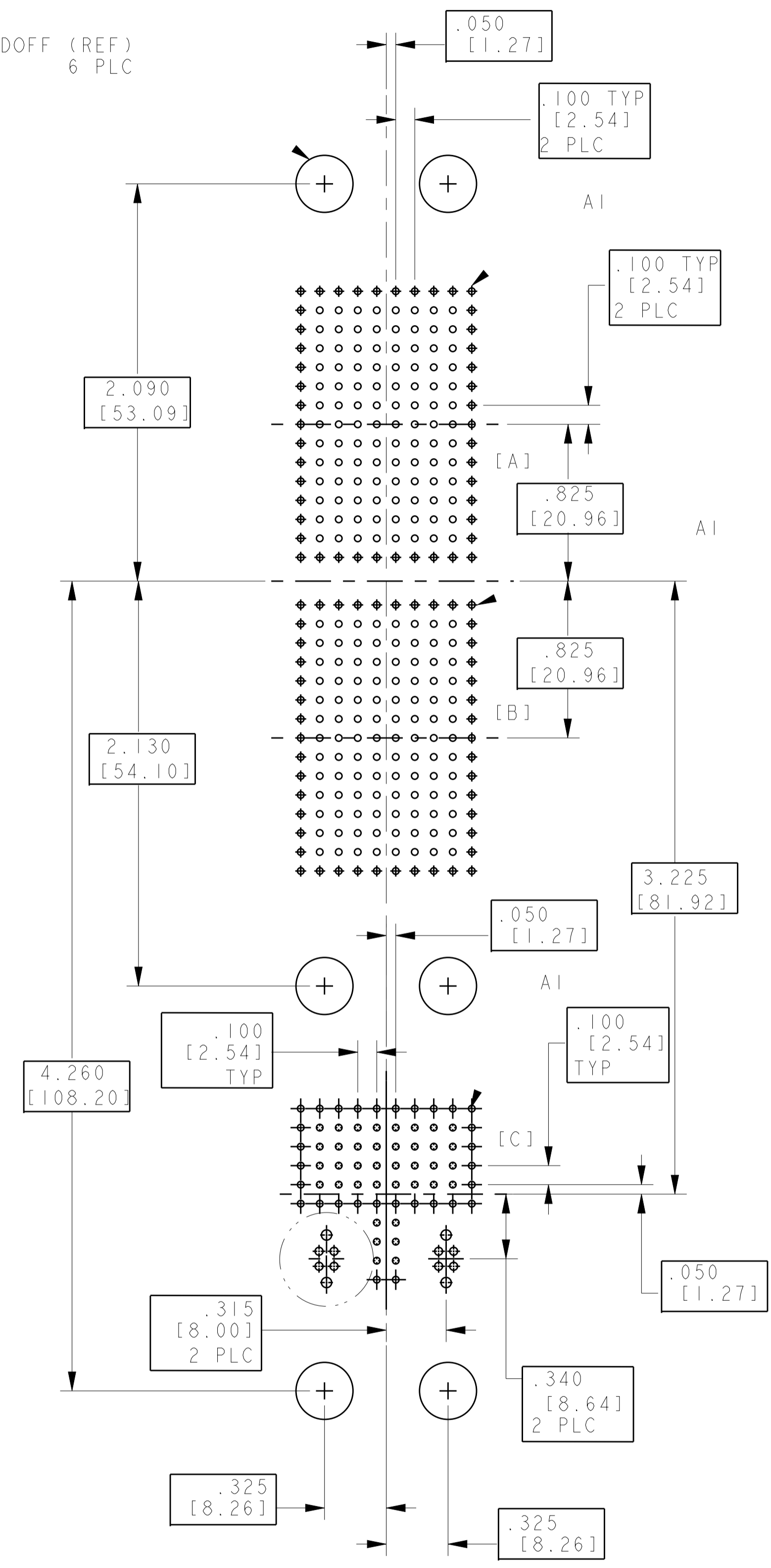




| LOC |     | DIST        |      | REVISIONS |      |   |   |
|-----|-----|-------------|------|-----------|------|---|---|
| P   | LTN | DESCRIPTION | DATE | DMN       | APVD |   |   |
| -   | -   | SEE SHEET 1 | -    | -         | -    | - | - |

- RECEPTACLE IS INTERMATEABLE TO ARINC 600 STYLE SIZE 2 PLUG ASSEMBLY
- ASSEMBLED CONNECTOR FEATURES COMPLY WITH ARINC 600 SPECIFICATION EXCEPT AS NOTED.
- ASSEMBLED CONNECTOR IS IN AGREEMENT, AS NOTED, WITH THALES TECHNICAL PROCUREMENT SPECIFICATION J54625AA-REV-02 AND CUSTOMER PURCHASING REQUIREMENT\*

PCB STANDOFF (REF)  
6 PLC



RECOMMENED P.C. BOARD LAYOUT  
SCALE NTS  
(BACK VIEW)

|   |  |  |  |
|---|--|--|--|
| SIZE 22 SOCKET CONTACTS<br>QTY = 348 (-2)<br>QTY = 368 (-3) | BODY: COPPER ALLOY<br>HOOD: STAINLESS STEEL                                    | BODY: .000050 [1.27um] MIN<br>GOLD ON MATING TINES,<br>Sn ON EON TAIL, BOTH<br>OVER NICKEL PLATE<br>HOOD: PASSIVATED                     | NON REMOVEABLE   |
| 150 POSITION INSERT<br>2 PLC                                | THERMOPLASTIC  | NONE   | ONE PIECE DESIGN<br>WITH NON-REMOVABLE<br>CONTACTS                           |
| M3 THREADED INSERT<br>6 PLC                                 | STAINLESS STEEL  | DRY FILM LUBRICANT   |  |
| M3 CLINCH NUT<br>6 PLC                                      | STEEL  | ZINC PLATED WITH SUPP<br>YELLOW TRIVALENT CHROMATE   |  |
| 68Q2 INSERT ASSY  | THERMOPLASTIC  | NONE   | SIGNAL CONTACTS<br>NON-REMOVABLE<br>QUADRAX CONTACTS<br>FRONT RELEASE/REMOVE |
| SHELL &<br>RETENTION PLATES                                 | ALUMINUM ALLOY PER ASTM-B-85<br>OR ASTM B 211, 6061T6<br>OR ASTM B 209, 2024T4 | FOR -2 & -3<br>CHROMATE CONVERSION PER<br>MIL-C-5541 TYPE I CLASS 1A<br>FOR -4<br>CHROMATE CONVERSION PER<br>MIL-C-5541 TYPE II, CLASS 3 |  |
| COMPONENT   | MATERIAL   | FINISH   | REMARKS  |

THIS DRAWING IS A CONTROLLED DOCUMENT.

|                           |   |                                 |                              |                               |   |
|---------------------------|---|---------------------------------|------------------------------|-------------------------------|---|
| DIMENSIONS:<br>INCHES(mm) | TOLERANCES UNLESS<br>OTHERWISE SPECIFIED: | DMN<br>C.C. THOMAS<br>03NOV2008 | CHK<br>K. HOGAN<br>03NOV2008 | APVD<br>K. HOGAN<br>03NOV2008 | NAME<br>RECEPTACLE ASSEMBLY, SIZE 2, ARINC 600<br>WITH PRESS FIT CONTACTS<br>(150/150/6802) |
| MATERIAL<br>SEE CALLOUTS  | FINISH<br>SEE CALLOUTS                    | WEIGHT                          | SIZE<br>A100779              | DRAWING NO.<br>C=2101004      | RESTRICTED TO   |
| CUSTOMER DRAWING          |   | SCALE<br>2:1                    | SHEET<br>2                   | OF<br>2                       | REV<br>U  |

STE TE Connectivity

# Mouser Electronics

Authorized Distributor

Click to View Pricing, Inventory, Delivery & Lifecycle Information:

[TE Connectivity:](#)

[2101004-2](#)